

概述

ISG型系列单级单吸管道离心泵，是本单位科技人员联合国内水泵专家选用国内优秀水力模型，采用IS型离心泵之性能参数，在一般立式泵的基础上进行巧妙组合设计而成，同时根据使用温度、介质、场合等不同在ISG型基础上派生出热水泵、高温泵、耐腐蚀化工泵、油泵、防爆化工泵、低转速泵。该系列产品具有高效节能、噪音低、性能可靠等优点，符合最新国家机械部JB/T53058-93的标准要求，产品按国际ISO2858标准设计制造。

用途

1、ISG型立式管道离心泵，供输送清水及物理化学性质类似于清水的其他液体之用，适用于工业和城市给排水、高层建筑增压送水、园林喷灌、消防增压、远距离输送、暖通制冷循环、浴室等冷暖水循环增压及设备配套，使用温度 $T < 80^{\circ}\text{C}$ 。

2、IRG型立式热水泵适用于冶金、化工、纺织、木材加工、造纸以及饭店、浴室、宾馆等锅炉高温热水增压循环输送及城市住房采暖循环用泵，使用温度 120°C 以下。

3、ISS型立式高温离心泵广泛适用于：能源、冶金、化工、纺织、造纸以及宾馆、饭店等锅炉高温热水增压循环输送及城市采暖系统循环用泵，使用温度 $T < 240^{\circ}\text{C}$ 。

4、ISH型立式管道化工泵，供输送不含固体颗粒，具有腐蚀性，粘度类似于水的液体，适用于石油、化工、冶金、电力、造纸、食品制药和合成纤维等部门，使用温度为 $-20^{\circ}\text{C} \sim 120^{\circ}\text{C}$ 。

5、ISY型立式管道油泵，供输送汽油、煤油、柴油等石油产品，被输送介质温度为 $-20^{\circ}\text{C} \sim +120^{\circ}\text{C}$ 。

6、ISHY型立式不锈钢防爆型化工离心泵，适用于输送易燃、易爆性化工液体。

7、ISGD、IRGD、ISSD、ISHD、ISYD、ISHYD型立式低转速离心泵，适用于要求环境噪声很低的场合及空调循环等。

Overview

ISG series single stage single suction piping centrifugal pumps are smartly designed on the basis of ordinary vertical pumps jointly by our scientific and technical personnel with pump experts at home. They use domestic advanced hydraulic model and the performance parameters of IS centrifugal pumps. According to the difference in service temperature, medium and conditions etc., there have been hot water pumps, high temperature pumps, anticorrosion chemical pumps, oil pumps, explosion-proof chemical pumps and low speed pumps derived from ISG. Featuring high efficiency, energy conservation, low noise and stable performance etc., this series of products conform to the latest standard of JB/T53058-93 issued by Ministry of Machinery, P. R. China, and are designed and manufactured to ISO2858 standard.

Usage

1. ISG vertical piping centrifugal pumps are used to handle clean water and liquids similar to water in physical and chemical properties. They are applicable to industrial and city water supply and drainage, pressurized water supply in high-rise constructions, garden irrigation, fire-fighting pressurization, distant transportation, heating, ventilating, refrigeration circulation, and bathrooms for cyclic pressurization of cold and hot water, and other equipments. Service temperature $T < 80^{\circ}\text{C}$.

2. IRG vertical hot water pumps are applicable to pressurized cyclic transportation of high temperature hot water for boilers in the fields of metallurgy, chemical, textile, woodworking, papermaking, restaurants, bathrooms, hotels and etc., and heating circulation in houses. Service temperature below 120°C .

3. ISS vertical high temperature centrifugal pumps are widely applicable to pressurized cyclic transportation of high temperature hot water for boilers in the fields of energy sources, metallurgy, chemical, textile, papermaking, hotels, restaurants and etc., and heating circulation in houses. Service temperature $T < 240^{\circ}\text{C}$.

4. ISH vertical piping chemical pumps are used to handle corrosive liquids not containing solid particles, viscosity similar to water. They are applicable to the industries of petroleum, chemical, metallurgy, electric power, papermaking, foodstuff, pharmaceutical and synthetic fiber etc. Service temperature $-20^{\circ}\text{C} \sim 120^{\circ}\text{C}$.

5. ISY vertical piping oil pumps are used to handle petroleum products like gasoline, kerosene and diesel oil etc. Temperature of medium to be delivered $-20^{\circ}\text{C} \sim +120^{\circ}\text{C}$.

6. ISHY stainless steel vertical explosion-proof chemical centrifugal pumps are used to handle inflammable and explosive chemical liquids.

7. ISGD, IRGD, ISSD, ISHD, ISYD, ISHYD vertical low speed centrifugal pumps are applicable to conditions that are not very strict with environmental noise, and to air conditioning circulation etc.

特点

1、泵为立式结构，进出口口径相同，且位于同一中心线上，可象阀门一样安装于管路之中，外形紧凑美观，占地面积小，建筑投入低，如加上防护罩则可置于户外使用。

2、叶轮直接安装在电机的加长轴上，轴向尺寸短，结构紧凑，泵与电机轴承配置合理，能有效地平衡泵运转产生的径向和轴向负荷，从而保证了泵的运行平稳，振动小、噪音低。

3、轴封采用机械密封或机械密封组合，采用进口钛合金密封环、中型耐高温机械密封和采用硬质合金材质，耐磨密封，能有效地延长机械密封的使用寿命。

4、安装检修方便，无需拆动管路系统，只要卸下泵联体座螺母即可抽出全部转子部件。

5、可根据使用要求即流量和扬程的需要采用泵的串、并联运行方式。

6、可根据管路布置的要求采用泵的竖式和横式安装。

工作条件

1、吸入压力 $\leq 1.0\text{MPa}$ ，或泵系统最高工作压力 $\leq 1.6\text{MPa}$ ，即泵吸入口压力+泵扬程 $\leq 1.6\text{MPa}$ ，泵静压试验压力为 2.5MPa 。订货时请注明系统工作压力，泵系统工作压力大于 1.6MPa 时应在订货时另行提出，以便在制造时泵的过流部分和联接部分采用铸钢材料。

2、环境温度 $< 40^{\circ}\text{C}$ ，相对湿度 $< 95\%$ 。

3、所输送介质中固体颗粒体积含量不超过单位体积的 0.1% ，粒度 $< 0.2\text{mm}$ 。

注：如使用介质为带有细小颗粒，请在订货时说明，以便厂家采用耐磨式机械密封。

Features

1. Vertical structure, inlet and outlet are of the same sizes and on the same center line, can be mounted in pipeline, just like a valve does, compact and appealing appearance, small occupation floor, low construction cost, outdoor service if provided with a protection cover.

2. Impeller directly mounted on the extended shaft of motor, short axial dimensions, compact structure, and reasonable configuration of pump and motor bearing to effectively balance the radial and axial load produced by pump operating, thus to ensure smooth operation, little vibration and low noise.

3. Using of mechanical seal or mechanical seal combination for shaft seal, imported titanium alloy sealing ring, intermediate high temperature resisting mechanical seal, hard alloy material and wear resistant seal, which effectively lengthen the service life of mechanical seal.

4. Easy installation and maintenance, no need to disassemble pipeline system, and all rotor components can be taken out only by taking off the nuts on the union seat of pump.

5. Modes of series and parallel running responding to the flow rate and delivery head required.

6. Vertically and horizontally installed according to the requirements of pipeline arrangement.

Working Conditions

1. Suction pressure $\leq 1.0\text{MPa}$, or the maximum working pressure of pump system $\leq 1.6\text{MPa}$, namely pump suction pressure + pump delivery head $\leq 1.6\text{MPa}$, pump static test pressure at 2.5MPa . Please specify the working pressure of the system when placing an order. To acquire working pressure of pump system greater than 1.6MPa should be specified separately when placing an order for our convenience to use cast steel for wetted parts and connection parts in production.

2. Ambient temperature $< 40^{\circ}\text{C}$, relative humidity $< 95\%$.

3. Volume content of solid particles in medium to be delivered shouldn't exceed 0.1% of unit volume, granularity $< 0.2\text{mm}$.

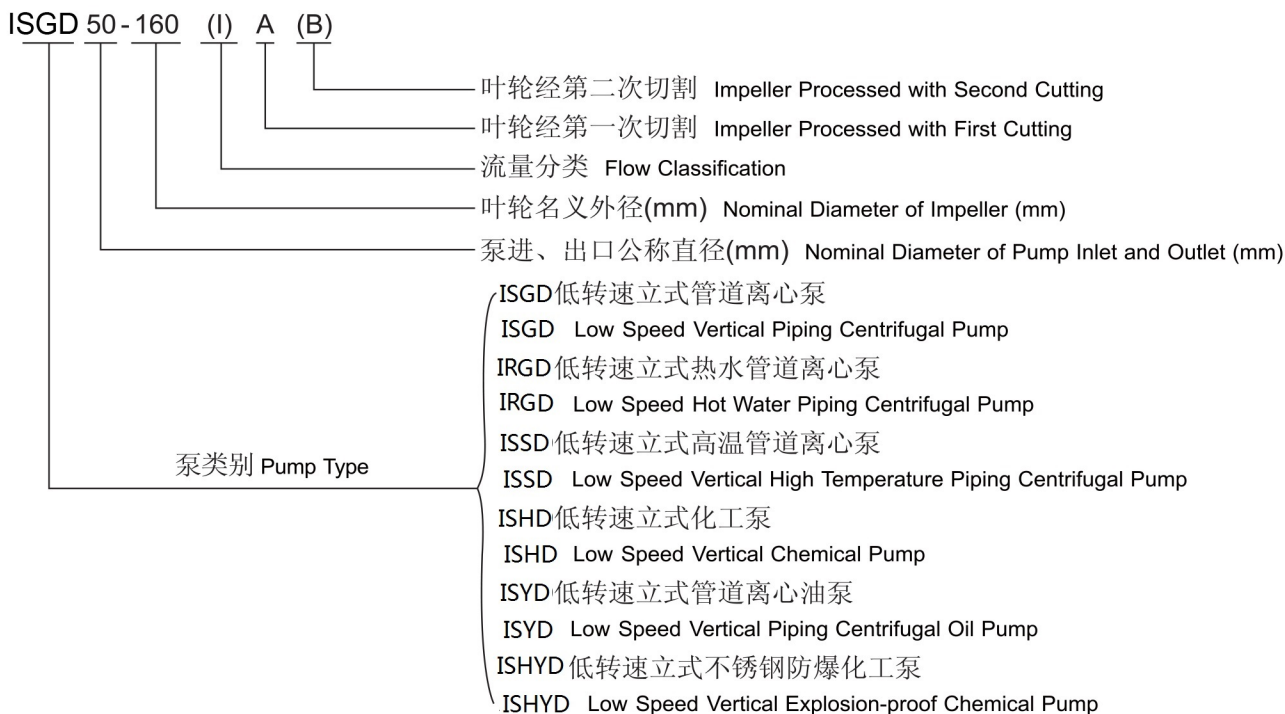
Note: to handle medium carrying small particles, please specify when placing an order for our convenience to use wear resistant mechanical seal.

型号意义 Model Meaning

例:
Example:

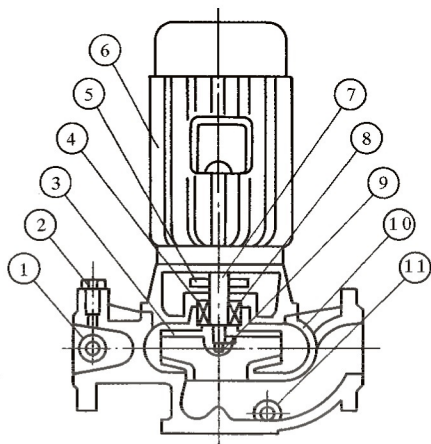


例:
Example:



结构说明 Structural Specifications

普通型结构 Structure of Ordinary Type



1	取压塞 Pressure Plug	5	挡水圈 Water Deflector	9	叶轮螺母 Impeller Nut
2	排气阀 Exhaust Valve	6	电机 Motor	10	泵体 Pump Body
3	叶轮 Impeller	7	轴 Shaft	11	放水阀 Water Drain Valve
4	机械密封 Mechanical Seal	8	联体座 Union Seat		

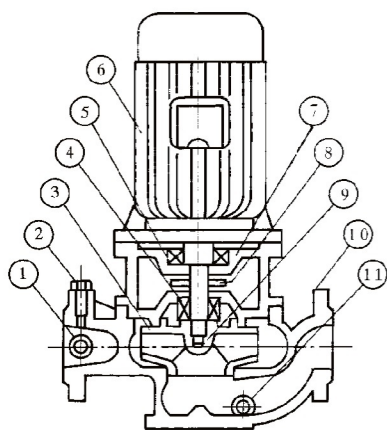
ISG 型结构说明:

- ① 泵与电机同端盖，轴向尺寸缩短，结构简单。
- ② 泵体上设有取压孔和放水孔。
- ③ 泵体上设有排气阀，工作前能排放泵内空气。
- ④ 泵体底部设有安装底板和螺栓孔，保证整体机组安装稳固。

ISG Structural Specifications:

- ① A shared end cover with motor, shortened axial dimensions, and simple structure.
- ② Pressure tapping and water drain hole fitted on pump body.
- ③ Exhaust valve fitted on pump body to let out the air inside pump before operation.
- ④ Mounting base plate and bolt hole fitted at the bottom of pump body to ensure secured installation of the whole unit.

热水型结构 Structure of Hot Water Type



1	取压塞 Pressure Plug	5	轴承 Bearing	9	叶轮螺母 Impeller Nut
2	排气阀 Exhaust Valve	6	电机 Motor	10	泵体 Pump Body
3	叶轮 Impeller	7	联体座 Union Seat	11	放水阀 Water Drain Valve
4	机械密封 Mechanical Seal	8	挡水圈 Water Deflector		

IRG 型结构说明:

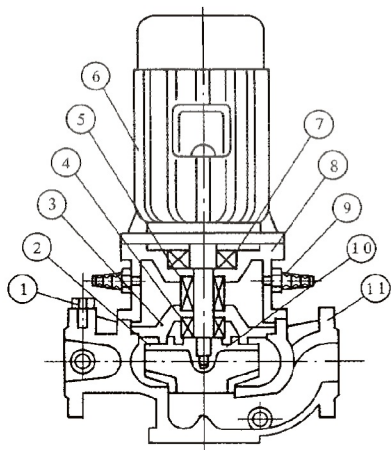
- ① 泵体与上部结构中间装有隔热盖，适用于介质温度 $T < 120^{\circ}\text{C}$ 的场合。
- ② 泵与电机轴承组合配置，保证轴运转精度，提高了密封的可靠性。
- ③ 可根据用户要求隔热盖内安装风冷装置。

IRG Structural Specifications:

- ① A heat isolating cover fitted between pump body and upper structure, applicable to temperature of medium $T < 120^{\circ}\text{C}$.
- ② Combination of pump and motor bearing to ensure shaft operating precision, thus to improve sealing dependability.
- ③ Air-cooling device may be fitted in heat isolating cover if requested by users.

结构说明 Structural Specifications

高温型结构 Structure of High Temperature Type



1	排气阀Exhaust Valve	5	机械密封Mechanical Seal	9	冷却水管Cooling Water Pipe
2	叶轮Impeller	6	电机Motor	10	叶轮螺母Impeller Nut
3	泵盖Pump Cover	7	轴承 Bearing	11	泵体Pump Body
4	机械密封Mechanical Seal	8	联体座Union Seat		

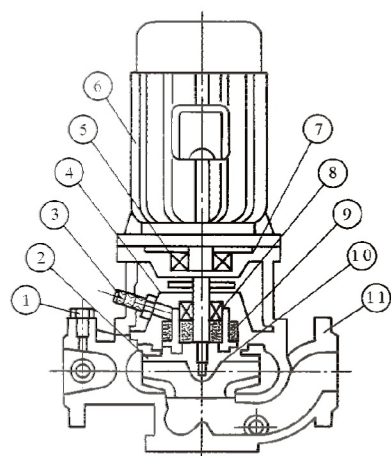
ISS 型结构说明:

- ①泵体与上部结构中间采用外供水隔热和冷却，可以适用于温度 $-45^{\circ}\text{C} \sim +240^{\circ}\text{C}$ 的高温场合。
- ②泵与电机轴承组合配置，保证轴运转精度，提高了密封的可靠性。
- ③采用组合式密封，下端为进口钛合金密封环的中型耐高温机械密封。

ISS Structural Specifications:

- ①Use of external water for heat isolation and cooling between pump body and upper structure, applicable to $-45^{\circ}\text{C} \sim +240^{\circ}\text{C}$ high temperature conditions.
- ②Combination of pump and motor bearing to ensure shaft operating precision, thus to improve sealing dependability.
- ③ Combined seal, and intermediate high temperature resisting mechanical seal at the lower part with imported sealing ring made of titanium alloy.

化工型结构 Structure of Chemical Type



1	排气阀Exhaust Valve	5	轴承 Bearing	9	承磨付Abrasion Bearing
2	叶轮Impeller	6	电机Motor	10	叶轮螺母Impeller Nut
3	冲洗冷却水管 Flushing Cooling Water Pipe	7	联体座Union Seat	11	泵体Pump Body
4	泵盖Pump Cover	8	机械密封Mechanical Seal		

ISH 型结构说明:

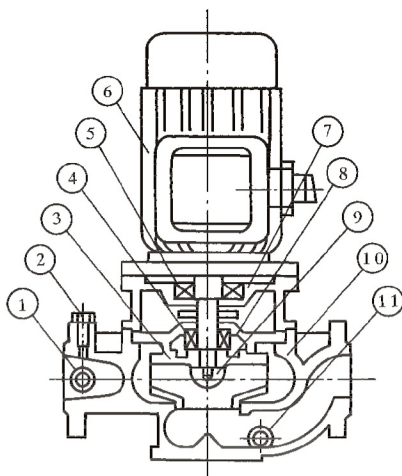
- ①机械密封前置有承磨付，泵盖上设有密封冷却，冲洗孔，适用于抽送介质易挥发或结晶的场合，延长在介质含微小颗粒时机械密封的使用寿命。
- ②泵与电机轴承组合配置，保证轴运转精度，提高了密封的可靠性。
- ③机械密封采用硬质合金材质。

ISH Structural Specifications:

- ①Mechanical seal provided with abrasion bearing in the front, cooling and flushing holes fitted on pump cover, applicable to handling highly volatile and crystallized medium, and functioned to lengthen the service life of mechanical seal when medium contains small particles.
- ②Combination of pump and motor bearing to ensure shaft operating precision, thus to improve sealing dependability.
- ③Hard alloy mechanical seal.

结构说明 Structural Specifications

油泵结构 Structure of Oil Pump



1	取压阀 Pressure Valve	5	轴承 Bearing	9	叶轮螺母 Impeller Nut
2	排气阀 Exhaust Valve	6	电机 Motor	10	泵体 Pump Body
3	叶轮 Impeller	7	联体座 Union Seat	11	放水阀 Water Drain Valve
4	机械密封 Mechanical Seal	8	泵盖 Pump Cover		

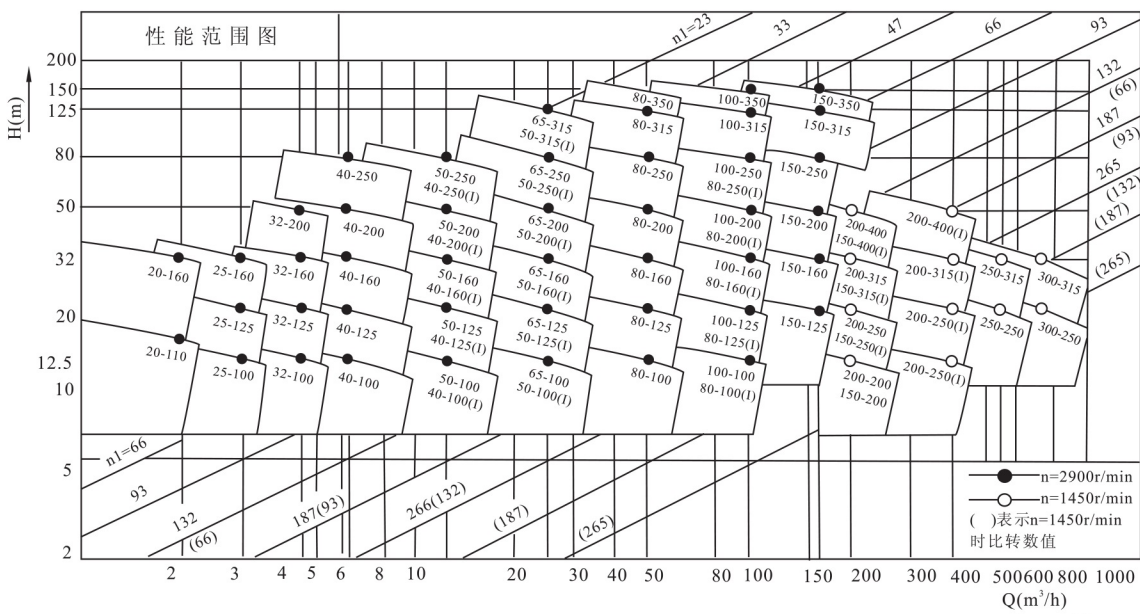
ISY 型结构说明:

- ①本结构适用于输送不含固体颗粒的介质, 温度为 $-20^{\circ}\text{C} \sim +120^{\circ}\text{C}$ 的油类。
- ②所输送油类介质温度 $T > 120^{\circ}\text{C}$ 或含有微量颗粒时, 可选择高温结构或化工泵结构。
- ③本型泵配用防爆型电动机。

ISY Structural Specifications:

- ① This structure is applicable to handling medium not containing solid particles, oils with temperature between $-20^{\circ}\text{C} \sim +120^{\circ}\text{C}$.
- ② To handle oils with temperature $T > 120^{\circ}\text{C}$ or containing minor particles, high temperature or chemical pump may be used.
- ③ Equipped with anti-explosion motor.

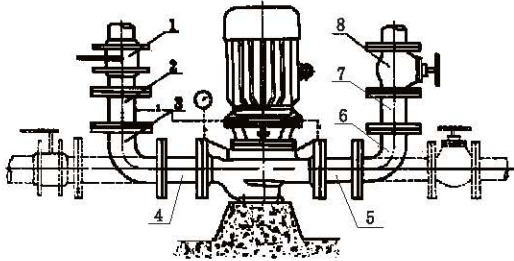
ISG Series Performance Spectrum



安装方式 Installation Mode

一、硬性联接 Rigid Connection

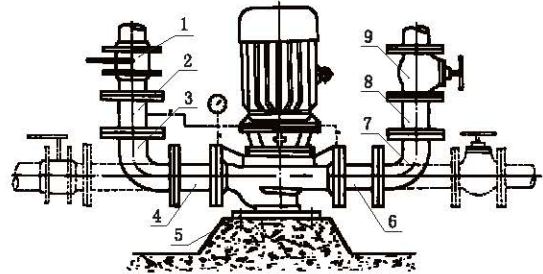
1、直接安装 Direct Installation



1.进口阀门 2.直管 3.弯管 4.直管
5.直管 6.弯管 7.直管 8.出口阀门

1.Inlet Valve 2.Straight Pipe 3.Elbow Pipe 4.Straight Pipe
5.Straight Pipe 6.Elbow Pipe 7.Straight Pipe 8.Outlet Valve

2、联接板安装 Connection Plate Installation



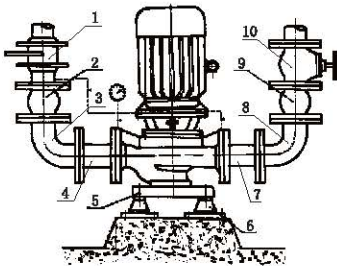
1.进口阀门 2.直管 3.弯管 4.直管
5.联接板 6.直管 7.弯管 8.直管 9.出口阀门

1.Inlet Valve 2.Straight Pipe 3.Elbow Pipe 4.Straight Pipe 5.Connection Plate
6.Straight Pipe 7.Elbow Pipe 8.Straight Pipe 9.Outlet Valve

二、柔性联接 Flexible Connection

1、联接板，加隔振器安装

Installation of Connecting Plate with Vibration Isolator

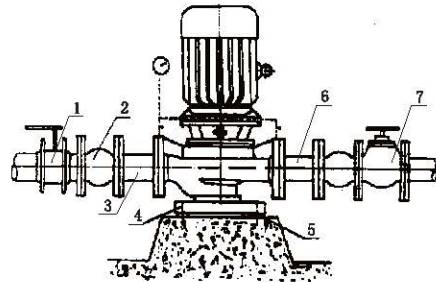


1.进口阀门 2.柔性接头 3.弯管 4.直管 5.联接板
6.隔振器 7.直管 8.弯管 9.柔性接头 10.出口阀门

1.Inlet Valve 2.Flexible Joint 3.Elbow Pipe 4.Straight Pipe 5.Connection Plate
6.Vibration Isolator 7.Straight Pipe 8.Elbow Pipe 9.Flexible Joint 10.Outlet Valve

2、联接板，加隔振垫安装

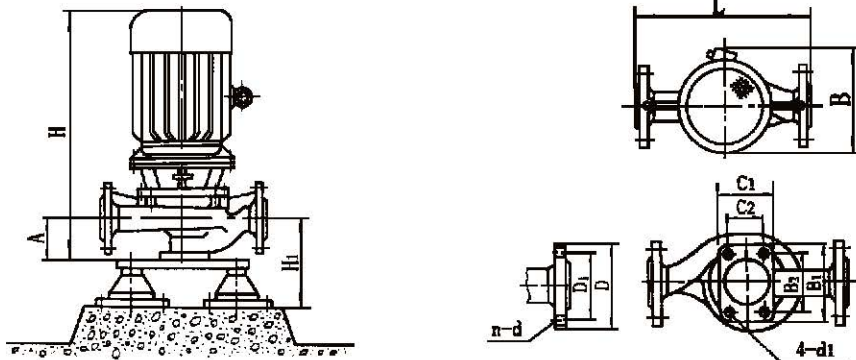
Installation of Connecting Plate with Vibration Isolator Pad



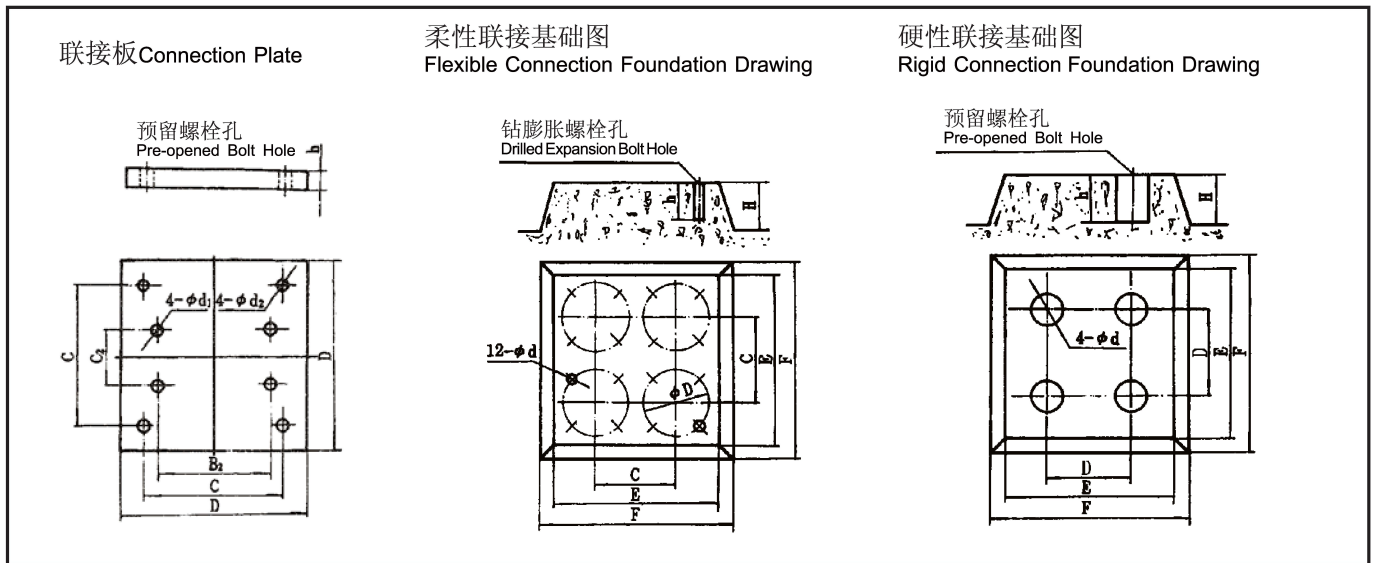
1.进口阀门 2.柔性接头 3.直管
4.联接板 5.隔振垫 6.直管 7.出口阀门

1.Inlet Valve 2.Flexible Joint 3.Straight Pipe 4.Connection Plate
5.Vibration Isolating Pad 6.Straight Pipe 7.Outlet Valve

泵外型及安装图 Pump Outside and Installation Drawing



附件及安装尺寸 Accessories and Mounting Dimensions

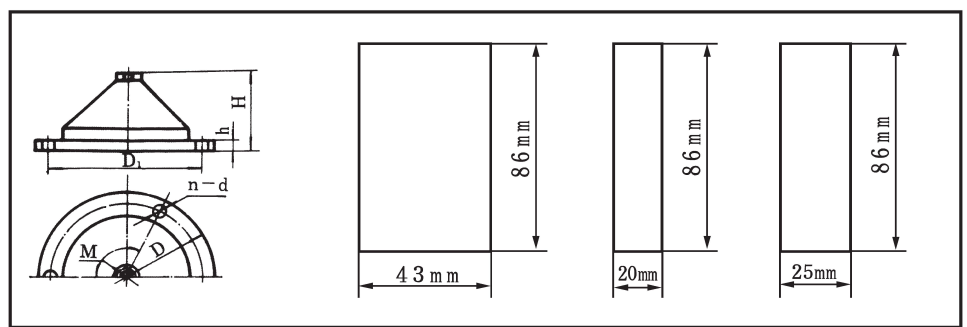


联接尺寸 Connection Dimensions							柔性联接基础尺寸 Flexible Connection Basic Dimensions						硬性联接基础尺寸 Rigid Connection Basic Dimensions						
型号 Type	C2×B2	C×C	D×D	h	φ d1	φ d2	H	E	F	C	φ D	φ d	h	H	E	F	C	φ d	h
1	45×70	240×240	300×300	55	φ 14	φ 14	200	450	500	240	/	/	/	200	450	500	240	60	200
2	50×80	240×240	300×300	55	φ 14	φ 14	200	450	500	240	/	/	/	200	450	500	240	60	200
3	60×100	240×240	300×300	55	φ 14	φ 14	200	450	500	240	/	/	/	200	450	500	240	60	200
4	70×120	240×240	300×300	55	φ 18	φ 16	200	450	500	240	/	/	/	200	450	500	240	60	200
5	80×130	240×240	300×300	55	φ 18	φ 16	200	450	500	240	/	/	/	200	450	500	240	60	200
6	100×160	340×340	400×400	55	φ 18	φ 16	250	650	700	340	同 隔 振 器 D1	φ 14.5	60	250	650	700	340	80	250
7	120×180	340×340	400×400	55	φ 18	φ 16	250	650	700	340		φ 14.5	60	250	650	700	340	80	250
8	160×220	340×340	400×400	55	φ 22	φ 16	250	650	700	340		φ 14.5	60	250	650	700	340	80	250
9	150×240	340×340	400×400	55	φ 22	φ 16	250	650	700	340		φ 14.5	60	250	650	700	340	80	250
10	210×260	440×440	500×500	55	φ 22	φ 16或φ 18	300	750	800	440		φ 14.5	60	300	750	800	440	80	250
11	230×280	440×440	500×500	55	φ 22	φ 16或φ 18	300	750	800	440		φ 14.5	60	300	750	800	440	80	250
12	250×320	540×540	600×600	55	φ 22	φ 16或φ 18	300	800	850	500		φ 14.5	60	300	800	850	540	80	250
13	300×350	740×740	880×880	55	φ 22	φ 20或φ 18	350	1000	1100	740		φ 14.5	60	350	1000	1100	740	80	250
14	300×400	740×740	800×800	55	φ 22	φ 20或φ 18	350	1000	1100	740		φ 14.5	60	350	1000	1100	740	80	250
15	350×450	740×740	800×800	55	φ 26	φ 20或φ 18	350	1000	1100	740		φ 14.5	60	350	1000	1100	740	80	250
16	400×500	740×740	800×800	55	φ 26	φ 20或φ 18	350	1000	1100	740		φ 14.5	60	350	1000	1100	740	80	250

JGD型隔振器安装尺寸
JGD Type Mounting Dimensions of Vibration Isolator

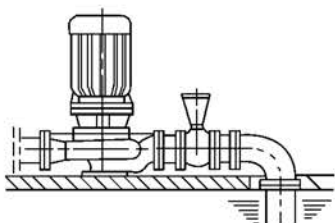
型号 Type	M	D	D1	H	d	n
JGD2-3	8	180	150	47	12	3
JGD3-2	12	230	200	64	12	3
JGD3-3	12	230	200	64	12	3
JGD4-1	16	280	250	76	12	3
JGD4-2	16	280	250	76	12	3
JGD5-3	20	330	300	104	12	3

SD型隔振垫0.5基本块尺寸
SD Type Vibration Isolating Pad 0.5 Basic Block Dimensions

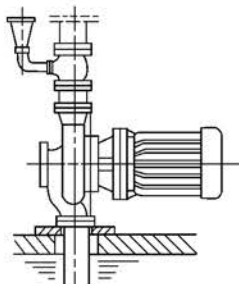


安装方式 Installation Mode

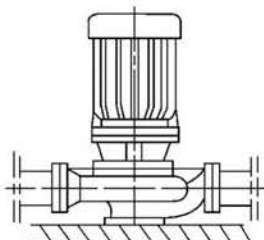
横式抽送水用
For Horizontal Pumping



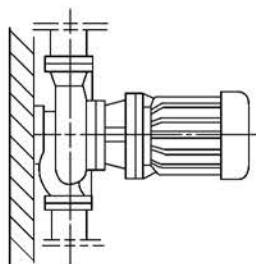
竖式抽送水用
For Vertical Pumping



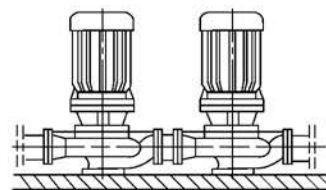
单段横式配装
Single Stage Horizontal Fitting



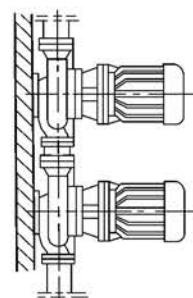
单段竖式配装
Single Stage Vertical Fitting



多段横式配装
Multiple Stage Horizontal Fitting



多段竖式配装
Multiple Stage Vertical Fitting



易损件(机械密封和轴承) Wearing Parts (Mechanical Seal and Bearing)

电机功率 Motor Power	机械密封规格 Specifications of Mechanical Seal	轴承规格 Specifications of Bearing
0.12kW、0.18kW	KL108-12	201
0.25kW、0.37kW	KL108-14	202
0.55kW、0.75kW、1.1kW(2极)	KL109-20	46204、180204Z1
1.1kW(4极)、1.5kW	KL109-20	46205、180205Z1
2.2kW(2极)	KL109-20	46205、180205Z1
2.2kW(4极)、3kW	KL109-25	46206、180206Z1
4kW	KL109-25	46306、180306Z1
5.5kW(2极)、7.5kW(2极)	KL109-25	46308、180308Z1
5.5kW(4极)、7.5kW(4极)	KL109-35	46308、180308Z1
11kW(2极)、15kW(2极)、18.5kW(2极)	KL109-35	46309、309Z1
11kW(4极)、15kW(4极)	KL109-40	46309、180309Z1
22kW(2极)	KL109-35	46311、311Z1
18.5kW(4极)、22kW(4极)	KL109-45	46311、311Z1
30kW(2极)、37kW(2极)	KL109-35	16312、312Z1
30kW(4极)	KL109-45	46312、312Z1

电机功率 Motor Power	机械密封规格 Specifications of Mechanical Seal	轴承规格 Specifications of Bearing
37kW(4极)、45kW	KL109-45	46313、313Z1
55kW、75kW(2极) 90kW(2极) 37kW(6极)	KL109-55	46314、314Z1
75kW(4极)、90kW(4极)	KL109-55	46317、317Z1
45kW(6极)、55kW(6极)	KL109-75	46317、317Z1
110kW(2极)	KL109-55	46316、316Z1
75kW(6极)、90kW(6极)、 110kW(4、6极)、 132kW(4、6极)	KL109-65	46319、319Z1
160kW(4极)、200kW(4极)	KL109-75	46319、319Z1
250kW(4极)	KL109-75	46321、321Z1
80-200B	KL109-35	46308、180308Z1
350-400A	KL109-75	46319、319Z1

注：电机功率后未注极数为2、4极易损件相同。
Note: Those with no pole number indicated after the motor power are pole 2 and 4; it's the same with the damageable parts.

安装说明

1、安装前应检查机组紧固体有无松动现象，泵体流道有无异物堵塞，以免水泵运行时损坏叶轮和泵体。

2、安装时管道重量不应加在水泵上，以免使泵变形。

3、安装时必须拧紧地脚螺栓，以免起动时振动对泵性能的影响。

4、为了维修方便和使用安全，在泵的进出口管路上各安装一只调节阀及在泵出口附近安装一只压力表，以保证在额定扬程和流量范围内运行，确保泵正常运行，延长水泵的使用寿命。

5、安装后拨动泵轴，叶轮应无磨擦声或卡死现象，否则应将泵拆开检查原因。

6、泵分硬性联接安装和柔性联接安装两种(见联接方式)。

泵的维护

1、运行中的维护：

(1)进口管道必须充满液体，禁止泵在汽蚀状态下长期运行。(2)定时检查电机电流值，不得超过电机额定电流。(3)泵进行长期运行后，由于机械磨损，使机组噪音及振动增大时，应停车检查，必要时可更换易损零件及轴承，机组大修期一般为一年。

2、机械密封维护

(1)机械密封润滑应清洁无固体颗粒。(2)严禁机械密封在干磨情况下工作。(3)起动前应先盘动泵(电机)几圈，以免突然起动造成石墨环断裂损坏。(4)密封泄流量允许3滴/分。否则应检查。

Installation Instructions

1. Before installation, check whether there is any fastening pieces loosened or not, flow passage of pump body jammed or not, thus to avoid damages to impeller and pump body upon running.

2. Upon installation, the weight of pipeline shouldn't be borne by pump, as this may cause pump deformed.

3. Upon installation, anchor bolts should be fastened to avoid pump suffered from starting vibration.

4. For the sake of easy maintenance and safe operation, an adjusting valve is fitted on both pump inlet and outlet pipes, and a pressure gauge is fitted near pump outlet to ensure pump working within the rated delivery head and flow range, thus to obtain normal operation and to lengthen the service life of pump.

5. After installation, turn pump shaft and there shouldn't be any sound of abrasion or seizure in impeller. If any, disassemble the pump to probe into the causes.

6. Pump may be installed by rigid connection and flexible connection (refer to connection type).

Pump Maintenance

1. In-service Maintenance:

(1) Inlet pipe should be filled up with liquid, and it is forbidden for pump to work for long time under cavitation. (2) Check the current of motor regularly, and it shouldn't exceed the rated current. (3) After a long time of service, there may be increased noise and vibration resulted from mechanical wear. Here, stop it for checkup, and replace the wearing parts and bearing if necessary. In general, the unit needs a big repair once a year.

2. Maintenance of Mechanical Seal

(1) The lubrication of mechanical seal should be clean with no solid particles. (2) It is forbidden for mechanical seal to work under dry abrasion. (3) Before starting, turn pump (motor) for several rounds to avoid graphite ring broken and damaged due to sudden start. (4) Permissible seal leakage 3drops/minute. Otherwise, it needs to be checked.

起动与停车

起动前准备:

1、试验电机转向是否正确，从电机顶部往泵看为顺时针旋转，试验时间要短，以免使机械密封干磨损。2、打开排气阀使液体充满整个泵体，待满后关闭排气阀。3、检查各部位是否正常。4、用手盘动泵以使润滑液进入机械密封端面。5、高温型应先进行预热，升温速度50℃/小时，以保证各部受热均匀。

起动:

1、全开进口阀门。2、关闭吐出管路阀门。3、起动电机，观察泵运行是否正常。4、调节出口阀开度至所需工况，如用户在泵出口处装有流量计或压力表，应通过调节出口阀门开度使泵在性能参数表所列的额定点上运转；如用户在泵出口处没有装流量计或压力表，应通过调节出口阀门开度，测量泵的电机电流，使电机在额定电流内运行，否则将造成泵超负荷运行(即大电流运行)至使电机烧坏。调整好的出口阀门开启大小与管道工况有关。5、检查轴封泄漏情况，正常时机械密封泄漏应<3滴/分。6、检查电机，轴承处温度≤70℃。

停车:

1、高温型先降温，降温速度<10℃/分，把温度降低到80℃以下，才能停车。2、关闭吐出管路阀门。3、停止电机。4、关闭进口阀门。5、如长期停车，应将泵内液体放尽。

Start and Stop

Prestarting Preparations:

1. Test to see whether motor runs in a proper direction. Viewing from the top of motor, pump shall run clockwise. Test time should be short to avoid dry abrasion of mechanical seal. 2. Open exhaust valve to make liquid filled up the whole pump body, and then close the exhaust valve. 3. Check to see whether all parts are in good conditions. 4. Turn the pump with hand to let lubricating liquid entering the end face of mechanical seal. 5. High temperature type should be preheated, speed of temperature rising at 50℃/hour, thus to ensure all parts evenly heated.

Starting:

1. Fully open inlet valve. 2. Close the valve on discharge pipeline. 3. Start the motor to see whether pump works in good conditions. 4. Adjust the opening of outlet valve to the required. If there is a flow meter or pressure gauge mounted at pump outlet, adjust the opening of outlet valve to make pump working at the rated point listed in the table of performance parameters. If there is no flow meter or pressure gauge mounted at pump outlet, adjust the opening of outlet valve to measure the current of pump motor to ensure motor running within the rated current. Otherwise, it can cause overload operation (i.e. operation under high current) of pump that can result in motor burnt out. The opening extent of outlet valve depends on piping conditions. 5. Check the leakage at shaft seal, and normally, the leakage at mechanical seal should be < 3drops/minute. 6. Check the temperature of motor and bearing, and it should be ≤70℃.

Stop:

1. For high temperature type, lower the temperature first at a speed of < 10℃/minute. Don't stop the machine until temperature comes below 80℃. 2. Close the valve on discharge pipeline. 3. Stop the motor. 4. Close the inlet valve. 5. If pump is to be left unused for a long time, let out the liquid inside the pump completely.

故障原因及排除方法 Failure Causes and Solutions

故障现象 Failure	可能产生的原因 Possible Causes	排除方法 Solutions
1、水泵不出水 Nowaterout of pump	<p>a. 进出口阀门未打开，进出管路阻塞，流道叶轮阻塞。 b. 电机运行方向不对，电机缺相转速很慢。 c. 吸入管漏气。 d. 泵没灌满液体，泵腔内有空气。 e. 进口供水不足，吸程过高，底阀漏水。 f. 管路阻力过大，泵选型不当。</p> <p>a. Inlet and outlet valves not opened, inlet and outlet pipes jammed, or flow passage impeller jammed. b. Improper running direction of motor, or low speed of motor due to open phase. c. Air leakage of suction pipe. d. Pump not filled up with liquid, or air existing inside pump. e. Insufficient inlet water supply, overhigh suction head, or water leakage at bottom valve. f. Excessive resistance of pipeline, or improper use of pump model.</p>	<p>a. 检查，去除阻塞物。 b. 调整电机方向，紧固电机接线。 c. 拧紧各密封面，排除空气。 d. 打开泵上盖或打开排气阀，排尽空气。 e. 停机检查、调整(并网自来水管和带吸程使用易出现此现象)。 f. 减少管路弯道，重新选泵。</p> <p>a. Check and clear the jamming. b. Adjust the running direction of motor, or fasten motor connections. c. Fasten the seal faces, and clear away the air. d. Open the upper cover of pump or open exhaust valve to let air completely out. e. Stop for check and adjustment (often happened to water supply pipe network and service with suction head). f. Reduce the bends of pipeline, or reselect a pump.</p>
2、水泵流量不足 Insufficient flow of pump	<p>a. 先按1. 原因检查。 b. 管道、泵流道叶轮部分阻塞，水垢沉积、阀门开度不足。 c. 电压偏低。 d. 叶轮磨损。</p> <p>a. Check the causes according to 1. b. Pipeline or impeller in flow passage partially jammed, scale deposited, or insufficient opening of valve. c. Voltage being low. d. Impeller worn out.</p>	<p>a. 先按1. 排除。 b. 去除阻塞物，重新调整阀门开度。 c. 稳压。 d. 更换叶轮。</p> <p>a. Solutions according to 1. b. Clear away the jamming, or readjust the opening of valve. c. Stabilize the voltage. d. Replace the impeller.</p>
3、功率过大 Excessive power	<p>a. 超过额定流量使用。 b. 吸程过高。 c. 泵轴承磨损。</p> <p>a. Service beyond the rated flow. b. Overhigh suction head. c. Pump bearing worn out.</p>	<p>a. 调节流量关小出口阀门。 b. 降低 c. 更换轴承。</p> <p>a. Adjust the flow and lessen the opening of outlet valve. b. Lower. c. Replace the bearing.</p>
4、杂音振动 Noise and vibration	<p>a. 管路支撑不稳。 b. 液体混有气体。 c. 产生汽蚀。 d. 轴承损坏。 e. 电机超载发热运行。</p> <p>a. Pipeline not steadily supported. b. Liquid mixed with air. c. Cavitation produced. d. Bearing damaged. e. Motor running overloaded and heated.</p>	<p>a. 稳固管路。 b. 提高吸入压力、排气。 c. 降低真空度。 d. 更换轴承。 e. 调整按5。</p> <p>a. Fix the pipeline. b. Enhance suction pressure, and exhaust. c. Lower the degree of vacuum. d. Replace the bearing. e. Adjustment according to 5.</p>
5、电机发热 Motor heated	<p>a. 流量过大，超载运行。 b. 碰擦。 c. 电机轴承损坏。 d. 电压不足。</p> <p>a. Excessive flow, overloaded operation. b. Scratch. c. Motor bearing damaged. d. Undervoltage.</p>	<p>a. 关小出口阀。 b. 检查排除。 c. 更换轴承。 d. 稳压。</p> <p>a. Lessen the opening of outlet valve. b. Check for solutions. c. Replace the bearing. d. Stabilize the voltage.</p>
6、水泵漏水 Water leakage of pump	<p>a. 机械密封磨损。 b. 泵体有砂孔或破裂。 c. 密封面不平整。 d. 安装螺栓松懈。</p> <p>a. Mechanical seal worn out. b. Sand holes or breakage on pump body. c. Seal face irregularity. d. Mounting bolts loosened.</p>	<p>a. 更换。 b. 焊补或更换。 c. 修整。 d. 紧固。</p> <p>a. Replace. b. Weld or replace. c. Repair. d. Fasten.</p>

ISG、ISR、ISS、ISH、ISY、ISHY系列泵性能参数表

ISG、ISR、ISS、ISH、ISY、ISHY Series Table of Performance Parameters

型号 Type	流量(Q) Flow Rate		扬程 Delivery Head	效率 Efficiency	转速 Rotating Speed	电机 功率 Motor Power	必需汽 蚀余量 (NPSH) _r	重量 Weight	外形尺寸 Overall Dimensions				安装尺寸 Mounting Dimensions			进出口法兰尺寸 Dimensions of Inlet and Outlet Flanges			隔振器(垫) Vibration Isolator (Pad)	
	(m³/h)	(l/s)							(m)	(%)	(r/min)	(kW)	(m)	(kg)	L	B	H	C1×B1	A	C2×B2
15-80	1.1	0.3	8.6	26	2800	0.18	2.3	17	180	160	340	100×75	40	45×70	4-φ12	G1/2	/	/	SD41-0.5	60
	1.6	0.42																		
	2.0	0.56																		
20-110	1.8	0.5	16	25	2800	0.37	2.3	25	260	230	405	80×110	55	50×80	4-φ12	G3/4	/	/	SD41-0.5	75
	2.5	0.69																		
	3.3	0.91																		
20-125	1.8	0.5	21	30	2800	0.75	2.3	35	260	230	365	80×110	65	50×80	4-φ12	G3/4	/	/	SD41-0.5	85
	2.5	0.69																		
	3.3	0.91																		
20-160	1.8	0.5	33	19	2800	1.1	2.3	29	300	230	420	90×130	65	60×100	4-φ14	G3/4	/	/	SD41-0.5	85
	2.5	0.69																		
	3.3	0.91																		
25-110	2.8	0.78	16	34	2800	0.55	2.3	26	260	230	415	80×110	60	50×80	4-φ14	φ115	φ85	4-φ14	SD41-0.5	80
	4	1.11																		
	5.2	1.44																		
25-125	2.8	0.78	20.6	28	2800	0.75	2.3	28	260	230	435	80×110	75	50×80	4-φ14	φ115	φ85	4-φ14	SD41-0.5	95
	4	1.11																		
	5.2	1.44																		
25-125A	2.5	0.69	17	16	2800	0.75	2.3	27	260	230	435	80×110	75	50×80	4-φ14	φ115	φ85	4-φ14	SD41-0.5	95
	3.6	1.0																		
	4.8	1.28																		
25-160	2.8	0.78	33	24	2800	1.5	2.3	39	300	270	430	90×130	65	60×100	4-φ14	φ115	φ85	4-φ14	SD41-0.5	85
	4	1.11																		
	5.2	1.44																		
25-160A	2.6	0.72	28.5	22	2800	1.1	2.3	34	300	270	415	90×130	65	60×100	4-φ14	φ115	φ85	4-φ14	SD41-0.5	85
	3.7	1.03																		
	4.9	1.36																		
32-100	4.6	1.26	12.5	44	2800	0.55	2.0	27	260	230	445	100×150	72	60×100	4-φ14	φ140	φ100	4-φ14	SD41-0.5	92
32-100(I)	3.75	1.04	13.2	49	2800	0.75	2.0	32	260	230	445	100×150	85	60×100	4-φ14	φ150	φ100	4-φ18	SD41-0.5	105
	5.3	1.76																		
	8.3	2.32																		
32-125	3.5	0.97	22	40	2800	0.75	2.3	28	260	230	435	90×130	72	60×100	4-φ14	φ140	φ100	4-φ18	SD41-0.5	92
	5	1.39																		
	6.6	1.8																		
32-125A	3.1	0.86	17.6	43	2800	0.55	2.3	28	260	230	435	90×130	72	60×100	4-φ14	φ140	φ100	4-φ18	SD41-0.5	92
	4.6	1.26																		
	6.8	1.61																		
32-160	5	1.39	32	44	2800	1.5	2.3	39	320	270	505	100×150	85	70×115	4-φ14	φ140	φ100	4-φ18	SD61-0.5	105
32-160A	4	1.1	25	34	2800	1.1	2.0	38	320	270	415	90×130	90	60×100	4-φ14	φ150	φ110	4-φ18	SD61-0.5	110
32-160(I)	4.4	1.22	33.2	34	2800	2.2	2.0	47	320	270	505	100×150	90	70×115	4-φ14	φ150	φ110	4-φ18	SD61-0.5	110
	6.3	1.75																		
	8.3	2.32																		
32-200	4.6	1.26	60	32	2800	3	2.0	55	340	330	540	120×170	95	80×135	4-φ14	φ150	φ110	4-φ18	SD61-0.5	115
32-200A	2.8	0.78	44.6	34	2800	3	2.0	74	340	330	540	120×170	95	80×135	4-φ14	φ150	φ110	4-φ18	SD61-0.5	115
	4	1.11																		
	5.2	1.44																		
32-200(I)	4.4	1.22	50.5	26	2800	4	2.0	43	340	330	560	120×170	95	80×135	4-φ14	φ150	φ110	4-φ18	SD61-0.5	115
	6.3	1.76																		
	8.3	2.32																		
40-100	4.4	1.22	13.2	49	2800	0.55	2.3	32	260	230	445	100×150	85	70×115	4-φ14	φ150	φ110	4-φ18	SD41-0.5	105
	6.3	1.76																		
	8.3	2.31																		
40-100A	3.9	1.08	10.8	52	2800	0.37	2.3	32	260	230	445	100×150	85	70×115	4-φ14	φ150	φ110	4-φ18	SD41-0.5	105
	5.4	1.53																		
	7.4	2.06																		
40-125	4.4	1.22	21	41	2800	1.1	2.3	34	280	230	445	100×150	85	70×115	4-φ14	φ150	φ110	4-φ18	SD41-0.5	105
	6.3	1.76																		
	8.3	2.31																		
40-125A	3.9	1.08	17.6	40	2800	0.75	2.3	33	280	230	445	100×150	85	70×115	4-φ14	φ150	φ110	4-φ18	SD61-0.5	105
	5.6	1.56																		
	7.4	2.06																		
40-160	4.4	1.22	33	35	2800	2.2	2.3	47	320	270	505	100×150	90	70×115	4-φ14	φ150	φ110	4-φ18	SD61-0.5	110
	6.3	1.76																		
	8.3	2.31																		
40-160A	4.1	1.14	29	34	2900	1.5	2.3	43	320	270	485	100×150	90	70×115	4-φ14	φ150	φ110	4-φ18	SD61-0.5	110
	5.9	1.64																		
	7.8	2.17																		
40-160B	3.8	1.06	26.5	34	2900	1.1	2.3	38	320	270	470	100×150	90	70×115	4-φ14	φ150	φ110	4-φ18	SD61-0.5	110
	5.6	1.53																		
	7.2	2.0																		
40-200	4.4	1.22	51	26	2900	4	2.3	74	340	330	560	120×170	95	80×135	4-φ14	φ150	φ110	4-φ18	SD61-0.5	115
	6.3	1.76																		
	8.3	2.31																		
40-200A	4.1	1.14	45	26	2900	3	2.3	62	340	330	540	120×170	95	80×135	4-φ14	φ150	φ110	4-φ18	SD61-0.5	115
	5.9	1.64																		
	7.8	2.17																		
40-200B	3.7	1.03	38	29	2900	2.2	2.3	52	340	330	505	120×170	95	80×135	4-φ14	φ150	φ110	4-φ18	SD61-0.5	115
	5.3	1.47																		
	7.0	1.94																		
40-250	4.4	1.22	82	24	2900	7.5	2.3	105	400	405	630	120×170	95	80×135	4-φ14	φ150	φ110	4-φ18	SD61-0.5	115
	6.3	1.75																		
	8.3	2.31																		
40-250A	4.1	1.14	72	24	2900	7.5	2.3	98	400	405	630	120×170	95	80×135	4-φ14	φ150	φ110	4-φ18	SD61-0.5	115
	5.9	1.64																		
	7.8	2.17																		
40-250B	3.8	1.06	61.5	23	2900	5.5	2.3	77	400	405	565	120×170	95	80×135	4-φ14	φ150	φ110	4-φ18	SD61-0.5	115
	5.5	1.53																		
	7.0	1.94																		
40-100(I)	8.8	2.44	13.2	55	2900	1.1	2.3	34	300	230	455	120×170	90	80×135	4-φ14	φ150	φ110	4-φ18	SD41-0.5	110
	12.5	3.47																		
	16.3	4.53																		

ISG、ISR、ISS、ISH、ISY、ISHY系列泵性能参数表
ISG、ISR、ISS、ISH、ISY、ISHY Series Table of Performance Parameters

型号 Type	流量(Q) Flow Rate		扬程 Delivery Head	效率 Efficiency	转速 Rotating Speed	电机功率 Motor Power	必需汽蚀余量 (NPSH) _r	重量 Weight	外形尺寸 Overall Dimensions				安装尺寸 Mounting Dimensions			进出口法兰尺寸 Dimensions of Inlet and Outlet Flanges			隔振器(垫) Vibration Isolator (Pad)	
	(m³/h)	(l/s)	(m)	(%)	(r/min)	(kW)	(m)	(kg)	L	B	H	C1×B1	A	C2×B2	4-d1	D	D1	n-d	规格 Specifications	H1
40-100(I)A	8 11 14.5	2.22 3.05 4.03	10.8 10 9	60	2900	0.75	2.3	32	300	230	455	120×170	90	80×135	4-φ14	φ150	φ110	4-φ18	SD41-0.5	110
40-125(I)	8.8 12.5 16.3	2.44 3.47 4.53	21.2 20 17.8	49 58 57	2900	1.5	2.3	38	300	240	465	120×170	90	80×135	4-φ14	φ150	φ110	4-φ18	SD41-0.5	110
40-125(I)A	8 11 14.5	2.22 3.05 4.03	17 16 14	57	2900	1.1	2.3	33	300	240	450	120×170	90	80×135	4-φ14	φ150	φ110	4-φ18	SD41-0.5	110
40-160(I)	8.8 12.5 16.3	2.44 3.47 4.53	33 32 30	45 52 51	2900	3	2.3	56	340	300	550	120×170	95	80×135	4-φ14	φ150	φ110	4-φ18	SD61-0.5	115
40-160(I)A	8.2 11.7 15.2	2.28 3.25 4.22	29 28 26	44 51 50	2900	2.2	2.3	47	340	300	515	120×170	95	80×135	4-φ14	φ150	φ110	4-φ18	SD61-0.5	115
40-160(I)B	7.3 10.4 13.5	2.38 2.89 3.76	23 22 20.5	50	2900	1.5	2.3	43	340	300	490	120×170	95	80×135	4-φ14	φ150	φ110	4-φ18	SD61-0.5	115
40-200(I)	8.8 12.5 16.3	2.44 3.47 4.53	51.2 50 48	38 46 46	2900	5.5	2.3	85	360	350	635	120×170	95	80×135	4-φ14	φ150	φ110	4-φ18	SD61-0.5	115
40-200(I)A	8.3 11.7 15.3	2.31 3.25 4.26	45.0 44 42	37 45 45	2900	4	2.3	75	360	350	570	120×170	95	80×135	4-φ14	φ150	φ110	4-φ18	SD61-0.5	115
40-200(I)B	7.5 10.6 13.8	2.08 2.94 3.83	37 36 34	44	2900	3	2.3	63	360	350	550	120×170	95	80×135	4-φ14	φ150	φ110	4-φ18	SD61-0.5	115
40-250(I)	8.8 12.5 16.3	2.44 3.47 4.53	81.2 80 77.5	31 36 40	2900	11	2.3	145	450	430	780	140×200	105	100×160	4-φ18	φ150	φ110	4-φ18	JSD2-3	205
40-250(I)A	8.2 11.6 15.2	2.28 3.22 4.22	71.0 70 68	38	2900	7.5	2.3	95	450	360	650	140×200	105	100×160	4-φ18	φ150	φ110	4-φ18	JSD2-3	205
40-250(I)B	7.6 10.8 14	2.11 3.0 3.89	61.4 60 58	37	2900	7.5	2.3	94	450	360	650	140×200	105	100×160	4-φ18	φ150	φ110	4-φ18	JSD2-3	205
40-250(I)C	7.1 10.0 13.1	1.97 2.78 3.64	53.2 52 50.4	36	2900	5.5	2.3	88	450	360	650	140×200	105	100×160	4-φ18	φ150	φ110	4-φ18	JSD2-3	205
50-100	8.8 12.5 16.3	2.44 3.47 4.53	13.6 12.5 11.3	55 62 60	2900	1.1	2.3	36	290	230	455	100×150	95	70×115	4-φ14	φ165	φ125	4-φ18	SD41-0.5	115
50-100A	8 11 14.5	2.22 3.05 4.03	11 10 9	60	2900	0.75	2.3	35	290	230	455	100×150	95	70×115	4-φ14	φ165	φ125	4-φ18	SD41-0.5	115
50-125	8.8 12.5 16.3	2.44 3.47 4.53	21.5 20 17.8	49 58 57	2900	1.5	2.3	43	300	240	465	100×150	95	70×115	4-φ14	φ165	φ125	4-φ18	SD41-0.5	115
50-125A	8 11 14.5	2.22 3.05 4.03	17 16 14	57	2900	1.1	2.3	38	300	240	450	100×150	95	70×115	4-φ14	φ165	φ125	4-φ18	SD41-0.5	115
50-160	8.8 12.5 16.3	2.44 3.47 4.53	33 32 30	45 52 51	2900	3	2.3	59	320	300	550	120×170	100	80×135	4-φ14	φ165	φ125	4-φ18	SD61-0.5	120
50-160A	8.2 11.7 15.2	2.28 3.25 4.22	29 28 26	44 51 50	2900	2.2	2.3	51	320	300	515	120×170	100	80×135	4-φ14	φ165	φ125	4-φ18	SD61-0.5	120
50-160B	7.3 10.4 13.5	2.38 2.89 3.76	23 22 20.5	50	2900	1.5	2.3	47	320	300	490	120×170	100	80×135	4-φ14	φ165	φ125	4-φ18	SD61-0.5	120
50-200	8.8 12.5 16.3	2.44 3.47 4.53	52 50 48	38 46 46	2900	5.5	2.3	101	360	350	635	120×170	100	80×135	4-φ14	φ165	φ125	4-φ18	SD61-0.5	120
50-200A	8.3 11.7 15.3	2.31 3.25 4.26	45.8 44 42	37 45 45	2900	4	2.3	80	360	350	570	120×170	100	80×135	4-φ14	φ165	φ125	4-φ18	SD61-0.5	120
50-200B	7.5 10.6 13.8	2.08 2.94 3.83	37 36 34	44	2900	3	2.3	68	360	350	550	120×170	100	80×135	4-φ14	φ165	φ125	4-φ18	SD61-0.5	120
50-250	8.8 12.5 16.3	2.44 3.47 4.53	82 80 77.5	29 38 40	2900	11	2.3	160	440	430	780	140×200	105	100×160	4-φ18	φ165	φ125	4-φ18	JGD2-3	205
50-250A	8.2 11.6 15.2	2.28 3.22 4.22	71.5 70 68	38	2900	7.5	2.3	115	440	360	650	140×200	105	100×160	4-φ18	φ165	φ125	4-φ18	JGD2-3	205
50-250B	7.6 10.8 14	2.11 3.0 3.89	61.4 60 58	37	2900	7.5	2.3	114	440	360	650	140×200	105	100×160	4-φ18	φ165	φ125	4-φ18	JGD2-3	205
50-250C	7.1 10.0 13.1	1.97 2.78 3.64	53.2 52 50.4	36	2900	5.5	2.3	108	440	360	650	140×200	105	100×160	4-φ18	φ165	φ125	4-φ18	JGD2-3	205
50-100(I)	17.5 25 32.5	4.86 6.94 9.03	13.7 12.5 10.5	67 69 69	2900	1.5	2.5	41	320	235	475	140×200	105	100×160	4-φ18	φ165	φ125	4-φ18	SD41-0.5	125
50-100(I)A	15.6 22.3 29	4.3 6.19 8.1	11 10 8.4	65 67 66	2900	1.1	2.5	36	320	235	460	140×200	105	100×160	4-φ18	φ165	φ125	4-φ18	SD41-0.5	125
50-125(I)	17.5 25 32.5	4.86 6.94 9.03	21.5 20 18	60 68 67	2900	3	2.5	56	340	280	550	140×200	95	100×160	4-φ18	φ165	φ125	4-φ18	SD61-0.5	110
50-125(I)A	15.6 22.3 29	4.3 6.19 8.1	17 16 13.5	58 66 65	2900	2.2	2.5	48	340	280	515	140×200	95	100×160	4-φ18	φ165	φ125	4-φ18	SD61-0.5	110
50-160(I)	17.5 25 32.5	4.86 6.94 9.03	34.4 32 27.5	54 63 60	2900	4	2.5	72	360	305	570	140×200	100	100×160	4-φ18	φ165	φ125	4-φ18	SD61-0.5	120

ISG、ISR、ISS、ISH、ISY、ISHY系列泵性能参数表
ISG、ISR、ISS、ISH、ISY、ISHY Series Table of Performance Parameters

型号 Type	流量(Q) Flow Rate		扬程 Delivery Head	效率 Efficiency	转速 Rotating Speed	电机功率 Motor Power	必需汽蚀余量 (NPSH) _r	重量 Weight	外形尺寸 Overall Dimensions				安装尺寸 Mounting Dimensions			进出口法兰尺寸 Dimensions of Inlet and Outlet Flanges			隔振器(垫) Vibration Isolator (Pad)	
	(m³/h)	(l/s)	(m)	(%)	(r/min)	(kW)	(m)	(kg)	L	B	H	C1×B1	A	C2×B2	4-d1	D	D1	n-d	规格 Specifications	H1
50-160(I)A	18.4 23.4 30.4	4.56 6.5 8.44	30 28 24	54 62 59	2900	4	2.5	71	360	305	570	140×200	100	100×160	4-φ18	φ165	φ125	4-φ18	SD61-0.5	120
50-160(I)B	15.0 21.6 28	4.17 6.0 7.78	26 24 20.6	68	2900	3	2.5	59	360	305	550	140×200	100	100×160	4-φ18	φ165	φ125	4-φ18	SD61-0.5	120
50-200(I)	17.5 25 32.5	4.86 6.94 9.03	52.7 50 45.5	49 68 59	2900	7.5	2.5	108	380	350	635	140×200	105	100×160	4-φ18	φ165	φ125	4-φ18	SD61-0.5	125
50-200(I)A	16.4 23.4 30.6	4.56 6.5 8.47	46.4 44 40	48 67 58	2900	7.5	2.5	107	380	350	635	140×200	105	100×160	4-φ18	φ165	φ125	4-φ18	SD61-0.5	125
50-200(I)B	15.2 21.6 28.3	4.22 6.0 7.86	40 38 34.5	55	2900	5.5	2.5	100	380	350	635	140×200	105	100×160	4-φ18	φ165	φ125	4-φ18	SD61-0.5	125
50-250(I)	17.5 25 32.5	4.86 6.94 9.03	82 80 76.5	39 50 52	2900	15	2.5	175	460	435	785	160×220	110	120×180	4-φ18	φ165	φ125	4-φ18	JGD2-3	210
50-250(I)A	16.4 23.4 30.6	4.56 6.5 8.47	71.5 70 67	39 50 52	2900	11	2.5	165	460	435	785	160×220	110	120×180	4-φ18	φ165	φ125	4-φ18	JGD2-3	210
50-250(I)B	15 21.6 28	4.17 6.0 7.78	61 60 57.4	38 49 54	2900	11	2.5	165	460	435	785	160×220	110	120×180	4-φ18	φ165	φ125	4-φ18	JGD2-3	210
50-315(I)	17.5 25 32.5	4.86 6.94 9.03	128 125 122	30 40 44	2900	30	2.5	310	550	510	920	160×220	110	160×220	4-φ18	φ165	φ125	4-φ18	JGD2-3	210
50-315(I)A	16.6 23.7 31	4.61 6.58 8.6	118 113 110	30 40 44	2900	22	2.5	245	550	470	855	160×220	110	160×220	4-φ18	φ165	φ125	4-φ18	JGD2-3	210
50-315(I)B	15.7 22.5 29.2	4.36 6.25 8.0	103 101 98	39	2900	18.5	2.5	215	550	435	830	160×220	110	160×220	4-φ18	φ165	φ125	4-φ18	JGD2-3	210
50-315(I)C	14.4 20.6 26.8	4.0 5.72 7.44	86 85 83	38	2900	18.5	2.5	195	550	435	785	160×220	110	160×220	4-φ18	φ165	φ125	4-φ18	JGD2-3	210
65-100	17.5 25 32.5	4.86 6.94 9.03	13.7 12.6 10.5	67 69 68	2900	1.5	2.5	46	320	235	475	140×200	105	100×160	4-φ18	φ185	φ145	4-φ18	SD41-0.5	125
65-100A	15.6 22.3 29	4.3 6.19 8.1	11 10 8.4	65 67 68	2900	1.1	2.5	41	320	235	460	140×200	105	100×160	4-φ18	φ185	φ145	4-φ18	SD41-0.5	125
65-125	17.5 25 32.5	4.86 6.94 9.03	21.5 20 18	60 68 67	2900	3	2.5	58	340	280	550	140×200	100	100×160	4-φ18	φ185	φ145	4-φ18	SD61-0.5	120
65-125A	15.6 22.3 29	4.33 6.19 8.1	17 16 14.4	54 68 65	2900	2.2	2.5	49	340	280	515	140×200	100	100×160	4-φ18	φ185	φ145	4-φ18	SD61-0.5	120
65-160	17.5 25 32.5	4.86 6.94 9.03	34.4 32 27.5	54 63 60	2900	4	2.5	75	360	305	570	140×200	100	100×160	4-φ18	φ185	φ145	4-φ18	SD61-0.5	120
65-160A	16.4 23.4 30.4	4.56 6.5 8.44	30 28 24	54 62 59	2900	4	2.5	75	360	305	570	140×200	100	100×160	4-φ18	φ185	φ145	4-φ18	SD61-0.5	120
65-160B	15.0 21.6 28	4.17 6.0 7.78	26 24 20.6	58	2900	3	2.5	63	360	305	550	140×200	100	100×160	4-φ18	φ185	φ145	4-φ18	SD61-0.5	120
65-200	17.5 25 32.5	4.86 6.94 9.03	52.7 50 45.5	49 68 59	2900	7.5	2.5	107	380	350	635	140×200	105	100×160	4-φ18	φ185	φ145	4-φ18	SD61-0.5	125
65-200A	16.4 23.5 30.6	4.56 6.53 8.47	46.4 44 40	48 67 58	2900	7.5	2.5	107	380	350	635	140×200	105	100×160	4-φ18	φ185	φ145	4-φ18	SD61-0.5	125
65-200B	15.2 21.6 28.3	4.22 6.0 7.86	40 38 34.5	55	2900	5.5	2.5	100	380	350	635	140×200	105	100×160	4-φ18	φ185	φ145	4-φ18	SD61-0.5	125
65-250	17.5 25 32.5	4.86 6.94 9.03	82 80 76.5	39 50 52	2900	15	2.5	180	480	435	785	160×220	110	120×180	4-φ18	φ185	φ145	4-φ18	JGD2-3	210
65-250A	16.4 23.4 30.5	4.56 6.5 8.47	71.5 70 67	39 50 52	2900	11	2.5	170	480	435	785	160×220	110	120×180	4-φ18	φ185	φ145	4-φ18	JGD2-3	210
65-250B	15 21.6 28	4.17 6.0 7.78	61 60 57.4	32 49 54	2900	11	2.5	170	480	435	785	160×220	110	120×180	4-φ18	φ185	φ145	4-φ18	JGD2-3	210
65-315	17.5 25 32.5	4.86 6.94 9.03	127 125 122	32 40 44	2900	30	2.5	320	550	510	920	160×220	110	120×180	4-φ18	φ185	φ145	4-φ18	JGD2-3	210
65-315A	16.6 23.7 31	4.61 6.58 8.6	116 113 110	32 40 44	2900	22	2.5	255	550	470	855	160×220	110	120×180	4-φ18	φ185	φ145	4-φ18	JGD2-3	210
65-315B	15.7 22.5 29.2	4.36 6.25 8.0	103 101 98	39	2900	18.5	2.5	225	550	435	830	160×220	110	120×180	4-φ18	φ185	φ145	4-φ18	JGD2-3	210
65-315C	14.4 20.6 26.8	4.0 5.72 7.44	86 85 83	38	2900	18.5	2.5	205	550	435	785	160×220	110	120×180	4-φ18	φ185	φ145	4-φ18	JGD2-3	210
65-100(I)	35 50 65	9.72 13.9 18.1	13.8 12.5 10	67 73 70	2900	3	3.0	63	400	285	570	140×200	120	100×160	4-φ18	φ185	φ145	4-φ18	SD61-0.5	140
65-100(I)A	31.3 44.7 58	8.7 12.4 16.1	11 10 8	66 72 69	2900	2.2	3.0	53	400	245	535	140×200	120	100×160	4-φ18	φ185	φ145	4-φ18	SD61-0.5	140
65-125(I)	35 50 65	9.72 13.9 18.1	22 20 17	67 72.5 70	2900	5.5	3.0	99	400	360	660	140×200	120	100×160	4-φ18	φ185	φ145	4-φ18	SD61-0.5	140

ISG、ISR、ISS、ISH、ISY、ISHY系列泵性能参数表
ISG、ISR、ISS、ISH、ISY、ISHY Series Table of Performance Parameters

型号 Type	流量(Q) Flow Rate		扬程 Delivery Head	效率 Efficiency	转速 Rotating Speed	电机功率 Motor Power	必需汽蚀余量 (NPSH) _r	重量 Weight	外形尺寸 Overall Dimensions				安装尺寸 Mounting Dimensions			进出口法兰尺寸 Dimensions of Inlet and Outlet Flanges			隔振器(垫) Vibration Isolator (Pad)	
	(m³/h)	(l/s)							(m)	(%)	(r/min)	(kW)	(m)	(kg)	L	B	H	C1×B1	A	C2×B2
65-125(I)A	31.3 46 58	8.7 12.5 16.1	17.5 16 13.6	66 71 69	2900	4	3.0	78	400	315	595	140×200	120	100×160	4-φ18	φ185	φ145	4-φ18	SD61-0.5	140
65-160(I)	35 50 65	9.72 13.9 18.1	35 32 28	63 71 70	2900	7.5	3.0	103	400	360	660	140×200	125	100×160	4-φ18	φ185	φ145	4-φ18	SD61-0.5	145
65-160(I)A	32.7 46.7 61	9.1 13.0 16.9	30.6 28 24	62 70 69	2900	7.5	3.0	103	400	360	660	140×200	125	100×160	4-φ18	φ185	φ145	4-φ18	SD61-0.5	145
65-160(I)B	30.3 43.3 56.3	8.4 12.0 15.6	26 24 21	59	2900	5.5	3.0	97	400	315	660	140×200	125	100×160	4-φ18	φ185	φ145	4-φ18	SD61-0.5	145
65-200(I)	36 50 65	9.72 13.9 18.1	53.5 50 46	65 67 68	2900	15	3.0	176	450	430	795	140×200	125	100×160	4-φ18	φ185	φ145	4-φ18	JGD2-3	225
65-200(I)A	32.8 47 61	9.1 13.1 16.9	47 44 40	54 65 67	2900	11	3.0	166	450	430	795	140×200	125	100×160	4-φ18	φ185	φ145	4-φ18	JGD2-3	225
65-200(I)B	30.5 43.5 56.5	8.5 12.1 15.7	40.6 38 33.4	62 65 60	2900	7.5	3.0	114	450	360	665	140×200	125	100×160	4-φ18	φ185	φ145	4-φ18	JGD2-3	225
65-250(I)	36 50 65	9.72 13.9 18.1	83 80 72	62 59 60	2900	22	3.0	235	480	465	870	160×220	130	120×180	4-φ18	φ185	φ145	4-φ18	JGD2-3	230
65-250(I)A	32.5 46.7 61	9.0 13.0 16.9	73 70 63	52 59 60	2900	18.5	3.0	205	480	430	850	160×220	130	120×180	4-φ18	φ185	φ145	4-φ18	JGD2-3	230
65-250(I)B	30 43.3 56	8.3 12.0 15.6	62 60 54	58	2900	15	3.0	180	480	430	805	160×220	130	120×180	4-φ18	φ185	φ145	4-φ18	JGD2-3	230
65-315(I)	35 50 65	9.72 13.9 18.1	128 125 121	44 54 57	2900	37	3.0	350	580	530	1000	190×280	130	160×220	4-φ18	φ185	φ145	4-φ18	JGD2-3	230
65-315(I)A	32.5 46.5 60.5	9.0 12.9 16.8	112.6 110 106.4	43 54 57	2900	30	3.0	335	580	530	1000	190×280	130	160×220	4-φ18	φ185	φ145	4-φ18	JGD2-3	230
65-315(I)B	31 44.5 58	8.6 12.4 16.1	102.5 100 98	53	2900	30	3.0	335	580	530	1000	190×280	130	160×220	4-φ18	φ185	φ145	4-φ18	JGD2-3	230
65-315(I)C	29 41 53.6	8.1 11.4 14.9	87 85 83	61	2900	22	3.0	270	580	470	885	190×280	130	160×220	4-φ18	φ185	φ145	4-φ18	JGD2-3	230
80-100	35 50 65	9.72 13.9 18.1	13.8 12.5 10	67 73 70	2900	3	3.0	63	400	285	570	140×200	120	100×160	4-φ18	φ200	φ160	8-φ18	SD61-0.5	140
80-100A	31.3 44.7 59	8.7 12.6 16.1	11 10 8	66 72 69	2900	2.2	3.0	54	400	245	535	140×200	120	100×160	4-φ18	φ200	φ160	8-φ18	SD61-0.5	140
80-125	36 50 65	9.72 13.9 18.1	22 20 17	67 72.5 70	2900	5.5	3.0	99	400	360	660	140×200	120	100×160	4-φ18	φ200	φ160	8-φ18	SD61-0.5	140
80-125A	31.3 45 58	8.7 12.5 16.1	17.5 16 13.6	66 71 69	2900	4	3.0	79	400	315	595	140×200	120	100×160	4-φ18	φ200	φ160	8-φ18	SD61-0.5	140
80-160	36 50 65	9.72 13.9 18.1	36 32 28	63 71 70	2900	7.5	3.0	105	400	360	660	140×200	125	100×160	4-φ18	φ200	φ160	8-φ18	SD61-0.5	145
80-160A	32.7 46.7 61	9.1 13.0 16.9	30.6 28 24	62 70 69	2900	7.5	3.0	105	400	360	660	140×200	125	100×160	4-φ18	φ200	φ160	8-φ18	SD61-0.5	145
80-160B	30.3 43.3 56.3	8.4 12.0 15.6	26 24 21	59	2900	5.5	3.0	98	400	315	660	140×200	125	100×160	4-φ18	φ200	φ160	8-φ18	SD61-0.5	145
80-200	35 50 65	9.72 13.9 18.1	53.5 50 46	65 67 68	2900	15	3.0	175	430	430	795	140×200	125	100×160	4-φ18	φ200	φ160	8-φ18	JGD2-3	225
80-200A	32.8 47 61	9.1 13.1 16.9	47 44 40	54 66 67	2900	11	3.0	165	430	430	795	140×200	125	100×160	4-φ18	φ200	φ160	8-φ18	JGD2-3	225
80-200B	30.5 43.5 56.5	8.5 12.1 15.7	40.6 38 33.4	65	2900	7.5	3.0	115	430	360	665	140×200	125	100×160	4-φ18	φ200	φ160	8-φ18	JGD2-3	225
80-250	36 50 65	9.72 13.9 18.1	83 80 72	62 59 60	2900	22	3.0	240	480	465	870	160×220	130	120×180	4-φ18	φ200	φ160	8-φ18	JGD2-3	230
80-250A	32.5 46.7 61	9.0 13.0 16.9	73 70 63	52 59 60	2900	18.5	3.0	210	480	430	850	160×220	130	120×180	4-φ18	φ200	φ160	8-φ18	JGD2-3	230
80-250B	30 43.3 56	8.3 12.0 15.6	62 60 54	58	2900	15	3.0	185	480	430	805	160×220	130	120×180	4-φ18	φ200	φ160	8-φ18	JGD2-3	230
80-315	35 50 65	9.72 13.9 18.1	128 125 122	43 54 57	2900	37	3.0	355	580	530	1000	190×280	130	160×220	4-φ18	φ200	φ160	8-φ18	JGD2-3	230
80-315A	32.5 46.5 60.5	9.0 12.9 16.8	112.6 110 107.4	43 54 57	2900	30	3.0	340	580	530	1000	190×280	130	160×220	4-φ18	φ200	φ160	8-φ18	JGD2-3	230
80-315B	31 44.5 58	8.6 12.4 16.1	102.5 100 98	53	2900	30	3.0	340	580	530	1000	190×280	130	160×220	4-φ18	φ200	φ160	8-φ18	JGD2-3	230
80-315C	29 41 53.6	8.1 11.4 14.9	87 85 83	51	2900	22	3.0	275	580	470	885	190×280	130	160×220	4-φ18	φ200	φ160	8-φ18	JGD2-3	230
80-350	36 50 60	9.72 13.9 16.7	166 150 140	63 71 62	2900	55	3.0	570	630	610	1100	200×260	130	160×220	4-φ18	φ200	φ160	4-φ18	JSD-85	280

ISG、ISR、ISS、ISH、ISY、ISHY系列泵性能参数表

ISG、ISR、ISS、ISH、ISY、ISHY Series Table of Performance Parameters

型号 Type	流量(Q) Flow Rate		扬程 Delivery Head	效率 Efficiency	转速 Rotating Speed	电机功率 Motor Power	必需汽蚀余量 (NPSH) _r	重量 Weight	外形尺寸 Overall Dimensions				安装尺寸 Mounting Dimensions			进出口法兰尺寸 Dimensions of Inlet and Outlet Flanges			隔振器(垫) Vibration Isolator (Pad)	
	(m³/h)	(l/s)	(m)	(%)	(r/min)	(kW)	(m)	(kg)	L	B	H	C1×B1	A	C2×B2	4-d1	D	D1	n-d	规格 Specifications	H1
80-350A	30.8 44 52.8	8.56 12.2 14.7	148 142 135	45 61 50	2900	45	3.0	470	630	575	1015	200×260	130	160×220	4-φ18	φ200	φ160	4-φ18	JSD-85	280
80-350B	28 40 48	7.78 11.1 12.8	142 136 128	39 48 46	2900	37	3.0	440	630	545	975	200×260	130	160×220	4-φ18	φ200	φ160	4-φ18	JSD-85	280
80-100(I)	70 100 130	19.4 27.8 36.1	13.6 12.5 11	66 67 75	2900	5.5	4.5	108	460	360	675	160×220	140	120×180	4-φ18	φ200	φ160	8-φ18	SD61-0.5	160
80-100(I)A	62.6 89 116	17.4 24.7 32.2	11 10 8.8	64 74 74	2900	4	4.5	87	460	360	610	160×220	140	120×180	4-φ18	φ200	φ160	8-φ18	SD61-0.5	160
80-125(I)	70 100 130	19.4 27.8 36.1	23.5 20 14	70 76 65	2900	11	4.5	163	450	430	805	160×220	140	120×180	4-φ18	φ200	φ160	8-φ18	JGD2-3	240
80-125(I)A	62.6 89 116	17.4 24.7 32.2	19 16 11	68 74 65	2900	7.5	4.5	113	450	350	675	160×220	140	120×180	4-φ18	φ200	φ160	8-φ18	JGD2-3	240
80-160(I)	70 100 130	19.4 27.8 36.1	36.5 32 24	70 76 65	2900	15	4.5	184	500	430	835	160×220	160	120×180	4-φ18	φ200	φ160	8-φ18	JGD2-3	260
80-160(I)A	65.4 93.5 121.0	18.2 26.0 33.8	32 28 21	68 74 67	2900	11	4.5	174	500	430	835	160×220	160	120×180	4-φ18	φ200	φ160	8-φ18	JGD2-3	260
80-160(I)B	60.6 86.6 112.0	16.8 24.1 31.3	27 24 18	72 76 65	2900	11	4.5	174	500	430	835	160×220	160	120×180	4-φ18	φ200	φ160	8-φ18	JGD2-3	260
80-200(I)	70 100 130	19.4 27.8 36.1	54 50 42	65 74 73	2900	22	4.0	251	480	475	880	160×220	135	120×180	4-φ18	φ200	φ160	8-φ18	JGD2-3	235
80-200(I)A	65.4 93.5 121.0	18.2 26.0 33.8	47.5 44 37	67 73 72	2900	18.5	4.0	220	480	430	860	160×220	135	120×180	4-φ18	φ200	φ160	8-φ18	JGD2-3	235
80-200(I)B	61 87 113	16.9 24.2 31.4	41 38 32	71 76 65	2900	15	4.0	198	480	430	815	160×220	135	120×180	4-φ18	φ200	φ160	8-φ18	JGD2-3	235
80-250(I)	70 100 130	19.4 27.8 36.1	87 80 68	62 69 68	2900	37	4.0	330	550	520	1015	190×280	155	160×220	4-φ18	φ200	φ160	8-φ18	JGD2-3	275
80-250(I)A	65.4 93.5 121.0	18.2 26.0 33.8	76 70 59.5	61 68 67	2900	30	4.0	315	550	520	1015	190×280	155	160×220	4-φ18	φ200	φ160	8-φ18	JGD2-3	275
80-250(I)B	61 87 113	16.9 24.2 31.4	65 60 51	66 70 67	2900	30	4.0	315	550	520	1015	190×280	155	160×220	4-φ18	φ200	φ160	8-φ18	JGD2-3	275
80-315(I)	70 100 130	19.4 27.8 36.1	132 126 114	55 66 67	2900	75	4.0	675	640	700	1235	190×280	165	160×220	4-φ18	φ200	φ160	8-φ18	JGD2-3	285
80-315(I)A	66.5 95 123.6	18.5 26.4 34.3	119 113 103	65 68 67	2900	55	4.0	535	640	640	1165	190×280	165	160×220	4-φ18	φ200	φ160	8-φ18	JGD2-3	285
80-315(I)B	63 90 117	17.5 25 32.5	106.6 101 92	65 68 67	2900	45	4.0	420	640	580	1080	190×280	165	160×220	4-φ18	φ200	φ160	8-φ18	JGD2-3	285
80-315(I)C	68 92 107	16.1 24.8 29.7	90 85 76	63 68 67	2900	37	4.0	366	640	520	1040	190×280	165	160×220	4-φ18	φ200	φ160	8-φ18	JGD2-3	285
100-100	70 100 130	19.4 27.8 36.1	13.5 12.5 11	66 76 75	2900	5.5	4.5	113	460	360	675	160×220	140	120×180	4-φ18	φ220	φ180	8-φ18	SD61-0.5	160
100-100A	62.6 89 116	17.4 24.7 32.2	11 10 8.8	64 74 74	2900	4	4.5	91	460	315	610	160×220	140	120×180	4-φ18	φ220	φ180	8-φ18	SD61-0.5	160
100-125	70 100 130	19.4 27.8 36.1	23.5 20 14	70 76 65	2900	11	4.5	169	440	430	805	160×220	140	120×180	4-φ18	φ220	φ180	8-φ18	JGD2-3	240
100-125A	62.6 89 116	17.4 24.7 32.2	19 16 11	68 74 63	2900	7.5	4.5	118	440	350	675	160×220	140	120×180	4-φ18	φ220	φ180	8-φ18	JGD2-3	240
100-160	70 100 130	19.4 27.8 36.1	36.5 32 24	70 76 65	2900	15	4.5	191	500	430	835	160×220	160	120×180	4-φ18	φ220	φ180	8-φ18	JGD2-3	260
100-160A	65.4 93.5 121.0	18.2 26.0 33.8	32 28 21	68 74 67	2900	11	4.5	181	500	430	835	160×220	160	120×180	4-φ18	φ220	φ180	8-φ18	JGD2-3	260
100-160B	60.6 86.6 112.0	16.8 24.1 31.3	27 24 18	72 76 65	2900	11	4.5	181	500	430	835	160×220	160	120×180	4-φ18	φ220	φ180	8-φ18	JGD2-3	260
100-200	70 100 130	19.4 27.8 36.1	54 50 42	65 74 73	2900	22	4.0	245	480	475	880	160×220	140	120×180	4-φ18	φ220	φ180	8-φ18	JGD2-3	240
100-200A	65.4 93.5 121.0	18.2 26.0 33.8	47.5 44 37	64 73 72	2900	18.5	4.0	215	480	430	860	160×220	140	120×180	4-φ18	φ220	φ180	8-φ18	JGD2-3	240
100-200B	61 87 113	16.9 24.2 31.4	41 38 32	71 76 65	2900	15	4.0	193	480	430	815	160×220	140	120×180	4-φ18	φ220	φ180	8-φ18	JGD2-3	240
100-250	70 100 130	19.4 27.8 36.1	87 80 68	62 69 68	2900	37	4.0	345	550	520	1015	160×220	155	120×180	4-φ18	φ220	φ180	8-φ18	JGD3-2	275
100-250A	66.4 93.5 121.0	18.2 26.0 33.8	76 70 59.5	61 68 67	2900	30	4.0	330	550	520	1015	160×220	155	120×180	4-φ18	φ220	φ180	8-φ18	JGD3-2	275
100-250B	61 87 113	16.9 24.2 31.4	65 60 51	66 70 67	2900	30	4.0	330	550	520	1015	160×220	155	120×180	4-φ22	φ220	φ180	8-φ18	JGD3-2	275

ISG、ISR、ISS、ISH、ISY、ISHY系列泵性能参数表
ISG、ISR、ISS、ISH、ISY、ISHY Series Table of Performance Parameters

型号 Type	流量(Q) Flow Rate		扬程 Delivery Head	效率 Efficiency	转速 Rotating Speed	电机功率 Motor Power	必需汽蚀余量 (NPSH) _r	重量 Weight	外形尺寸 Overall Dimensions				安装尺寸 Mounting Dimensions			进出口法兰尺寸 Dimensions of Inlet and Outlet Flanges			隔振器(垫) Vibration Isolator (Pad)	
	(m³/h)	(l/s)	(m)	(%)	(r/min)	(kW)	(m)	(kg)	L	B	H	C1×B1	A	C2×B2	4-d1	D	D1	n-d	规格 Specifications	H1
100-315	70 100 130	19.4 27.8 36.1	132 126 114	55 66 67	2900	75	4.0	689	640	700	1235	230×320	165	170×260	4-φ22	φ220	φ180	8-φ18	JGD3-2	285
100-315A	66.5 96 123.0	18.5 26.4 34.3	119 113 103	65 66 67	2900	55	4.0	549	640	640	1165	230×320	165	170×260	4-φ22	φ220	φ180	8-φ18	JGD3-2	285
100-315B	63 90 117	17.5 25 32.5	106.0 101 92	65	2900	45	4.0	439	640	580	1080	230×320	165	170×260	4-φ22	φ220	φ180	8-φ18	JGD3-2	285
100-315C	58 82 107	16.1 22.8 29.7	90 85 76	63	2900	37	4.0	385	640	520	1040	230×320	165	170×260	4-φ22	φ220	φ180	8-φ18	JGD3-2	285
100-100(I)	96 120 150	26.7 33.3 41.7	14 12.5 10	64 73 70	2900	11	4.5	115	500	415	802	190×280	140	160×220	4-φ18	φ220	φ180	8-φ18	SD61-0.5	180
100-125(I)	96 120 150	26.7 33.3 41.7	24 20 14	62 74 69	2900	15	4.5	168	500	300	807	190×280	160	160×220	4-φ18	φ220	φ180	8-φ18	SD61-0.5	180
100-125(I)A	84 140 168	23.3 39 46.7	20 17 12	64 72 68	2900	11	4.5	168	500	280	807	190×280	160	160×220	4-φ18	φ220	φ180	8-φ18	SD61-0.5	180
100-160(I)	96 120 150	26.7 33.3 41.7	36 32 27	69 79 75	2900	22	5.6	210	500	330	884	190×280	170	160×220	4-φ18	φ220	φ180	8-φ18	SD61-0.5	190
100-160(I)A	84 140 168	23.3 39 46.7	32 28 23.5	66 76 72	2900	18.5	5.0	210	500	330	884	190×280	170	160×220	4-φ18	φ220	φ180	8-φ18	SD61-0.5	190
100-200(I)	96 120 150	26.7 33.3 41.7	53 50 46	69 79 78	2900	37	5.2	402	540	365	970	160×220	165	120×180	4-φ18	φ220	φ180	8-φ18	SD61-0.5	185
100-200(I)A	84 140 168	23.3 39 46.7	48 46 40	64 74 73	2900	30	4.5	395	540	345	970	160×220	165	120×180	4-φ18	φ220	φ180	8-φ18	SD61-0.5	185
100-200(I)B	80 100 120	18.7 27.8 33.3	43 40 36	72	2900	22	4.5	360	540	345	970	160×220	165	120×180	4-φ18	φ220	φ180	8-φ18	SD61-0.5	185
100-250(I)	96 120 150	26.7 33.3 41.7	83 80 72	65 77 74	2900	55	4.8	560	600	435	1121	190×280	175	160×220	4-φ18	φ220	φ180	8-φ18	JGD2-3	275
100-250(I)A	84 140 168	23.3 39 46.7	75 72 65	60 72 68	2900	45	4.5	420	600	360	1121	190×280	175	160×220	4-φ18	φ220	φ180	8-φ18	JGD2-3	275
100-250(I)B	60 100 120	16.7 27.8 33.3	68 66 58	70	2900	37	4.5	400	600	360	1121	190×280	175	160×220	4-φ18	φ220	φ180	8-φ18	JGD2-3	275
100-350	60 100 120	16.7 27.8 33.3	163.6 180 142	72 87 74	2900	90	4.0	950	680	630	1310	230×320	175	170×260	4-φ18	φ220	φ180	8-φ18	JSD-150	335
100-350A	61 87 113	16.9 24.2 31.4	145.6 142 134	75	2900	75	4.0	830	680	630	1260	230×320	175	170×260	4-φ18	φ220	φ180	8-φ18	JSD-150	335
100-350B	58 82 107	16.1 22.8 29.7	138.6 135 127	75	2900	55	4.0	600	680	605	1190	230×320	175	170×260	4-φ18	φ220	φ180	8-φ18	JSD-150	335
100-400(I)	80 100 120	18.9 27.8 33.3	52 50 48.5	65	1450	22	3.0	375	710	540	960	250×300	160	210×260	4-φ22	φ220	φ180	8-φ18	JGD2	280
100-400(I)A	45 75 90	12.5 20.8 25	46 44 43	65	1450	18.5	3.0	370	710	540	960	250×300	160	210×260	4-φ22	φ220	φ180	8-φ18	JGD2	280
100-400(I)B	42 70 84	11.7 19.4 23.3	39.5 38 36	63	1450	18.5	3.0	340	710	530	960	250×300	160	210×260	4-φ22	φ220	φ180	8-φ18	JGD2	280
125-100	96 120 150	26.7 33.3 41.7	13 12.5 12	62	2900	11	4.0	180	520	430	830	160×220	165	120×180	4-φ18	φ250	φ210	8-φ18	JGD2-3	265
125-100A	86 143 172	23.9 39.7 47.8	10.4 10 9.6	77	2900	7.5	4.0	125	520	360	730	160×220	165	120×180	4-φ18	φ250	φ210	8-φ18	JGD2-3	265
125-125	96 120 150	26.7 33.3 41.7	22.6 20 17	60	2900	15	4.0	220	520	430	840	190×280	170	160×220	4-φ18	φ250	φ210	8-φ18	JGD2-3	270
125-125A	86 143 172	23.9 39.7 47.8	18 16 13.6	77	2900	11	4.0	210	520	430	840	190×280	170	160×220	4-φ18	φ250	φ210	8-φ18	JGD2-3	270
125-160	96 120 150	26.7 33.3 41.7	36 32 28	78	2900	22	4.0	265	520	460	920	190×280	175	160×220	4-φ18	φ250	φ210	8-φ18	JGD2-3	275
125-160A	90 120 150	25 41.7 50	31.5 28 24.5	76	2900	18.5	4.0	230	520	430	890	190×280	175	160×220	4-φ18	φ250	φ210	8-φ18	JGD2-3	275
125-160B	83 138 166	21.7 38.3 46.1	27 24 21	73	2900	15	4.0	215	520	430	850	190×280	175	160×220	4-φ18	φ250	φ210	8-φ18	JGD2-3	275
125-200	96 120 150	26.7 33.3 41.7	55 50 46	77	2900	37	5.5	395	570	510	1040	250×300	175	210×260	4-φ18	φ250	φ210	8-φ18	JGD3-2	295
125-200A	90 120 150	25 41.7 50	48.4 44 40.5	76	2900	30	5.5	370	570	510	1040	250×300	175	210×260	4-φ18	φ250	φ210	8-φ18	JGD3-2	295
125-200B	83 138 166	21.7 38.3 46.1	41.3 37.5 34.5	75	2900	22	5.5	320	570	460	930	250×300	175	210×260	4-φ18	φ250	φ210	8-φ18	JGD3-2	295
125-250	96 120 150	26.7 33.3 41.7	87 80 73	75	2900	55	5.0	580	600	660	1180	250×300	150	210×260	4-φ18	φ250	φ210	8-φ18	JGD3-2	290

ISG、ISR、ISS、ISH、ISY、ISHY系列泵性能参数表
ISG、ISR、ISS、ISH、ISY、ISHY Series Table of Performance Parameters

型号 Type	流量(Q) Flow Rate		扬程 Delivery Head	效率 Efficiency	转速 Rotating Speed	电机功率 Motor Power	必需汽蚀余量 (NPSH) _r	重量 Weight	外形尺寸 Overall Dimensions				安装尺寸 Mounting Dimensions			进出口法兰尺寸 Dimensions of Inlet and Outlet Flanges			隔振器(垫) Vibration Isolator (Pad)	
	(m ³ /h)	(l/s)	(m)	(%)	(r/min)	(kW)	(m)	(kg)	L	B	H	C1×B1	A	C2×B2	4-d1	D	D1	n-d	规格 Specifications	H1
125-250A	90 150 180	25 41.7 50	76 70 84	74	2900	45	5.5	490	600	570	1080	250×300	150	210×260	4-φ18	φ250	φ210	8-φ18	JGD3-2	290
125-250B	83 138 168	21.7 38.3 46.1	65 60 55	73	2900	37	5.5	430	600	510	985	250×300	150	210×260	4-φ18	φ250	φ210	8-φ18	JGD3-2	290
125-315	96 160 192	26.7 44.7 53.3	133 126 119	70	2900	90	5.0	790	680	685	1350	300×350	180	230×280	4-φ18	φ250	φ210	8-φ18	JGD3-2	300
125-315A	90 150 180	25 41.7 50	117 110 104.6	70	2900	75	5.0	710	680	685	1300	300×350	180	230×280	4-φ18	φ250	φ210	8-φ18	JGD3-3	300
125-315B	86 143 172	23.9 39.7 47.8	105.4 100 95.2	69	2900	75	5.0	705	680	685	1350	300×350	180	230×280	4-φ18	φ250	φ210	8-φ18	JGD3-3	300
125-315C	80.5 134 161	22.4 37.2 44.7	96 88 86	67	2900	55	5.0	585	680	660	1230	300×350	180	230×280	4-φ18	φ250	φ210	8-φ18	JGD3-3	300
125-350	96 160 192	26.67 44.44 53.33	162 150 137	70 75 74	2900	110	4.5	1400	760	850	1321	360×460	195	300×340	4-φ22	φ250	φ210	8-φ18	JGD4	300
125-350A	90 150 180	25.00 41.67 50.00	166 142 136	69 74 74	2900	90	4.5	1100	760	850	1086	360×460	195	300×340	4-φ22	φ250	φ210	8-φ18	JGD4	300
125-350B	86 143 172	23.89 39.72 47.78	140 135 126	68 73 73	2900	75	4.5	850	760	850	1036	360×460	195	300×340	4-φ22	φ250	φ210	8-φ18	JGD4	300
125-400	80 100 120	16.7 27.8 33.3	62 60 55	63 65 67	1450	30	3.0	375	710	540	1050	250×300	160	210×260	4-φ22	φ250	φ210	8-φ18	JGD2	280
125-400A	56 94 112	15.6 26.1 31.1	45.8 44 42	64	1450	22	3.0	370	710	540	1050	250×300	160	210×260	4-φ22	φ250	φ210	8-φ18	JGD2	280
125-400B	52 87 104	14.4 24.2 28.9	39 37.5 36.0	62	1450	18.5	3.0	350	710	540	1000	250×300	160	210×260	4-φ22	φ250	φ210	8-φ18	JGD2	280
125-500(I)	112 160 192	31.1 44.4 53.3	83 80 75	61 66 65.5	1450	75	3.0	560	850	710	1375	260×260	180	220×220	4-φ22	φ250	φ210	8-φ18	JGD3	322
125-500(I)A	104 149 178	28.9 41.4 49.4	73 70.5 66	60 65 64	1450	55	3.0	540	850	710	1375	260×260	180	220×220	4-φ22	φ250	φ210	8-φ18	JGD3	322
125-500(I)B	97 138.5 166	26.9 38.6 46.1	64.5 62 58	58 63 62	1450	45	3.0	500	850	710	1375	260×260	180	220×220	4-φ22	φ250	φ210	8-φ18	JGD3	322
150-125	96 160 192	26.7 44.4 53.3	22.6 24 17	66 76 76	2900	15	4.0	210	520	430	840	190×280	170	160×220	4-φ18	φ285	φ240	8-φ18	JGD2-3	270
150-125A	90 150 180	25 41.7 50	18 18 13.6	77	2900	11	4.0	130	520	430	840	190×280	170	160×220	4-φ18	φ285	φ240	8-φ18	JGD2-3	270
150-160	96 160 192	26.7 44.4 53.3	36 32 27	75	2900	22	4.0	270	520	430	850	190×280	175	160×220	4-φ18	φ285	φ240	8-φ18	JGD2-3	275
150-160A	90 150 180	25 41.7 50	32 28 23.5	76	2900	18.5	4.0	230	520	430	850	190×280	175	160×220	4-φ18	φ285	φ240	8-φ18	JGD2-3	275
150-160B	84 140 168	23.3 39 46.7	27 24 21	73	2900	15	4.0	220	520	430	850	190×280	175	160×220	4-φ18	φ285	φ240	8-φ18	JGD2-3	275
150-200	96 160 192	26.7 44.4 53.3	65 60 46	77	2900	37	4.0	395	570	510	1040	250×300	175	210×260	4-φ18	φ285	φ240	8-φ22	JGD3-2	295
150-200A	90 150 180	25 41.7 50	48.4 44 40.5	76	2900	30	4.0	370	570	510	995	250×300	175	210×260	4-φ18	φ285	φ240	8-φ22	JGD3-2	295
150-200B	83 138 168	21.7 33.3 46.1	41.3 37.5 34.5	75	2900	22	4.0	325	570	460	935	250×300	175	210×260	4-φ18	φ285	φ240	8-φ22	JGD3-2	295
150-200	100 160 200	27.8 44.4 55.5	13 12.5 11	68 78 78	1450	11	3.0	265	680	435	930	250×300	200	210×260	4-φ18	φ285	φ240	8-φ22	JGD2-3	300
150-200A	86 143 178	24.4 39.7 48.9	10.5 10 8.8	68 76 78	1450	7.5	3.0	244	680	435	885	250×300	200	210×260	4-φ18	φ285	φ240	8-φ22	JGD2-3	300
150-250	100 160 200	27.8 44.4 55.5	22.5 20 17	81	1450	15.0	3.0	250	700	435	910	250×300	190	210×260	4-φ22	φ285	φ240	8-φ22	JGD2	310
150-250A	92 147 184	25.6 40.8 51.1	19 17 14.5	80	1450	11.0	3.0	250	700	435	910	250×300	190	210×260	4-φ22	φ285	φ240	8-φ22	JGD2	310
150-250B	84 134 168	23.3 37.2 46.6	15.5 14 12	79	1450	7.5	3.0	230	700	415	850	250×300	190	210×260	4-φ22	φ285	φ240	8-φ22	JGD2	310
150-315	100 180 200	27.8 44.4 55.5	35 32 28	63 74 73	1450	22	3.0	280	760	465	980	250×300	190	210×260	4-φ22	φ285	φ240	8-φ22	JGD2	310
150-315A	93.5 150 187	26 41.7 51.9	30.5 28 24.5	72	1450	18.5	3.0	270	760	465	970	250×300	190	210×260	4-φ22	φ285	φ240	8-φ22	JGD2	310
150-315B	86 138 170	23.6 36.3 47.2	26 24 18.5	71	1450	15.0	3.0	250	760	450	950	250×300	190	210×260	4-φ22	φ285	φ240	8-φ22	JGD2	310
150-400	100 160 200	27.8 44.4 55.5	63 60 46	62 71 72	1450	37	3.0	515	800	570	1065	250×300	195	210×260	4-φ22	φ285	φ240	8-φ22	JGD2	337

ISG、ISR、ISS、ISH、ISY、ISHY系列泵性能参数表
ISG、ISR、ISS、ISH、ISY、ISHY Series Table of Performance Parameters

型号 Type	流量(Q) Flow Rate		扬程 Delivery Head	效率 Efficiency	转速 Rotating Speed	电机功率 Motor Power	必需汽蚀余量 (NPSH) _r	重量 Weight	外形尺寸 Overall Dimensions				安装尺寸 Mounting Dimensions			进出口法兰尺寸 Dimensions of Inlet and Outlet Flanges			隔振器(垫) Vibration Isolator (Pad)	
	(m³/h)	(l/s)	(m)	(%)	(r/min)	(kW)	(m)	(kg)	L	B	H	C1×B1	A	C2×B2	4-d1	D	D1	n-d	规格 Specifications	H1
150-400A	93.5 160 187	26 41.7 51.9	46.5 44 40.5	70	1450	30	3.0	500	800	570	1050	250×300	195	210×260	4-φ22	φ285	φ240	8-φ22	JGD3	337
150-400B	85 138 170	23.6 38.3 47.2	40 38 35	70	1450	30	3.0	485	800	550	1050	250×300	195	210×260	4-φ22	φ285	φ240	8-φ22	JGD3	337
150-250(I)	140 200 260	38.9 56.6 72.2	21.8 20 17	73 79 77	1450	18.5	3.0	300	700	475	960	250×300	205	210×260	4-φ18	φ285	φ240	8-φ22	JGD2-3	305
150-250(I)A	129 184.4 240	36.8 51.2 66.7	18.5 17 14.4	72 78 76	1450	15	3.0	262	700	475	940	250×300	205	210×260	4-φ18	φ285	φ240	8-φ22	JGD2-3	305
150-250(I)B	117 167 217.5	32.5 46.4 60.4	15.2 14 12	76	1450	11	3.0	241	700	445	895	250×300	205	210×260	4-φ18	φ285	φ240	8-φ22	JGD2-3	305
150-315(I)	140 200 260	38.9 56.6 72.2	33.9 32 28	70 78 73	1450	30	2.5	410	760	530	1075	250×300	205	210×260	4-φ18	φ285	φ240	8-φ22	JGD3-3	325
150-315(I)A	131 187 243	36.4 51.9 67.5	29.5 28 24.5	69 77 77	1450	22	3.5	335	760	505	1000	250×300	205	210×260	4-φ18	φ285	φ240	8-φ22	JGD3-3	325
150-315(I)B	121 173 225	33.5 48.1 62.5	26 24 21	76	1450	18.5	3.5	315	760	505	960	250×300	205	210×260	4-φ18	φ285	φ240	8-φ22	JGD3-3	325
150-350	96 160 192	26.7 44.4 53.3	163.6 150 138.0	80	2900	110	5.5	970	760	530	1075	250×300	205	210×260	4-φ18	φ285	φ240	8-φ22	JGD3-3	325
150-350A	90 160 180	25 41.7 50	145.6 142 134.8	70	2900	90	5.2	790	760	530	1075	250×300	205	210×260	4-φ18	φ285	φ240	8-φ22	JGD3-3	325
150-350B	84 140 168	23.3 39 46.7	138.6 135 127.8	65 76 74	2900	75	5.5	705	760	530	1075	250×300	205	210×260	4-φ18	φ285	φ240	8-φ22	JGD3-3	325
150-400(I)	140 200 260	38.9 56.6 72.2	53 50 44	68 75 71	1450	45	3.5	490	800	595	1120	250×300	210	210×260	4-φ18	φ285	φ240	8-φ22	JGD3-3	330
150-400(I)A	131 187 243	36.4 51.9 67.5	46.6 44 38.3	67 74 70	1450	37	3.5	454	800	595	1095	250×300	210	210×260	4-φ18	φ285	φ240	8-φ22	JGD3-3	330
150-400(I)B	122 174 228.5	33.9 48.3 62.9	40 38 33	73	1450	30	3.5	435	800	560	1075	250×300	210	210×260	4-φ18	φ285	φ240	8-φ22	JGD3-3	330
150-400(I)C	112 160 208	31.1 44.4 57.8	34 32 28	71	1450	22	3.5	365	800	535	1000	250×300	210	210×260	4-φ18	φ285	φ240	8-φ22	JGD3-3	330
150-500(I)	140 200 240	38.9 56.6 66.7	83 80 75	61 69 67	1450	90	4.5	640	900	700	1460	300×300	215	240×240	4-φ22	φ285	φ240	12-φ22	JGD3	357
150-500(I)A	127 182 218	35.3 50.8 60.5	73 70.5 65	69 67 65	1450	75	4.5	640	900	700	1460	300×300	215	240×240	4-φ22	φ285	φ240	12-φ22	JGD3	357
150-500(I)B	116 168 199	32.2 46.1 55.3	64.5 62 58	67 65 63	1450	55	4.5	620	900	700	1460	380×300	215	240×240	4-φ22	φ285	φ240	12-φ22	JGD3	357
150-250(I)	120 200 260	33.3 56.6 66.7	87 80 72	65 76 74	2900	75	4.5	702	700	700	1280	250×300	195	210×260	4-φ18	φ285	φ240	8-φ22	JGD3-3	315
150-250(I)A	112 187 224	31.1 51.9 62.2	76 70 63	64 75 73	2900	55	4.5	561	700	640	1200	250×300	195	210×260	4-φ18	φ285	φ240	8-φ22	JGD3-3	315
150-250(I)B	104 173 208	28.9 48.1 57.8	66 60 54	63 74 72	2900	45	4.5	460	700	585	1115	250×300	195	210×260	4-φ18	φ285	φ240	8-φ22	JGD3-3	315
150-315(I)	120 200 240	33.3 56.6 66.7	133 125 120	68 73 75	2900	110	4.5	980	760	900	1560	250×300	200	210×260	4-φ18	φ285	φ240	8-φ22	JGD3-3	320
150-315(I)A	112 187 224	31.1 51.9 62.2	116 110 105	57 72 74	2900	90	4.5	800	760	700	1330	250×300	200	210×260	4-φ18	φ285	φ240	8-φ22	JGD3-3	320
150-315(I)B	104 173 208	28.9 48.1 57.8	100 96 91	55 70 72	2900	75	4.5	724	760	700	1210	250×300	200	210×260	4-φ18	φ285	φ240	8-φ22	JGD3-3	320
200-200	140 200 260	38.9 56.6 72.2	13.8 12.5 10.6	66 76 76	1450	15	3.0	265	680	435	930	300×370	200	250×320	4-φ22	φ340	φ295	12-φ22	JGD2-3	300
200-200A	125 179 232.5	34.7 49.7 64.6	11 10 8.5	66 76 76	1450	11	3.0	244	680	435	885	300×370	200	250×320	4-φ22	φ340	φ295	12-φ22	JGD2-3	300
200-250	140 200 260	38.9 56.6 72.2	21.8 20 17	73 79 77	1450	18.5	3.0	305	750	475	960	300×370	210	250×320	4-φ22	φ340	φ295	12-φ22	JGD2-3	310
200-250A	129 184.4 240	36.8 51.2 66.7	18.5 17 14.4	72 78 76	1450	15	3.0	267	750	475	940	300×370	210	250×320	4-φ22	φ340	φ295	12-φ22	JGD2-3	310
200-250B	117 167 217.5	32.5 46.4 60.4	15.2 14 12	76	1450	11	3.0	246	750	445	895	300×370	210	250×320	4-φ22	φ340	φ295	12-φ22	JGD2-3	310
200-270	280 400 520	77.78 111.11 144.44	85 80 69	73 80 75	2900	132	3.5	1350	750	605	1430	300×370	210	250×320	4-φ22	φ340	φ295	12-φ22	JGD2-3	310
200-270A	266 352 448	71.11 97.78 124.44	76 70 59	72 79 74	2900	110	3.5	1210	750	605	1325	300×370	210	250×320	4-φ22	φ340	φ295	12-φ22	JGD2-3	310
200-270B	224 320 416	62.22 88.89 115.56	62 56 48	71 76 73	2900	75	3.5	810	750	605	1040	300×370	210	250×320	4-φ22	φ340	φ295	12-φ22	JGD2-3	310

ISG、ISR、ISS、ISH、ISY、ISHY系列泵性能参数表
ISG、ISR、ISS、ISH、ISY、ISHY Series Table of Performance Parameters

型号 Type	流量(Q) Flow Rate		扬程 Delivery Head (m)	效率 Efficiency (%)	转速 Rotating Speed (r/min)	电机 功率 Motor Power (kW)	必需汽 蚀余量 (NPSH) _r (m)	重量 Weight (kg)	外形尺寸 Overall Dimensions				安装尺寸 Mounting Dimensions			进出口法兰尺寸 Dimensions of Inlet and Outlet Flanges			隔振器(垫) Vibration Isolator (Pad)	
	(m³/h)	(l/s)							L	B	H	C1×B1	A	C2×B2	4-d1	D	D1	n-d	规格 Specifications	H1
300-380	480 720 900	133.3 200 260	48 44 34	84	970	132.0	5.0	1900	1400	900	1850	480×550	360	400×450	4-φ26	φ460	φ410	12-φ26	JGD4-2	548
300-380A	444 666 833	123.3 185 231.4	41.4 38 30	80	970	110.0	5.0	1700	1400	900	1850	480×550	360	400×450	4-φ26	φ460	φ410	12-φ26	JGD4-2	548
300-380B	400 614 764	113.6 170.6 213.1	35 32 35	78	970	90.0	5.0	1530	1400	900	1850	480×550	360	400×450	4-φ26	φ460	φ410	12-φ26	JGD4-2	548
300-380	480 720 900	133.3 200 260	48 44 34	84	1450	132	5.0	1525	1250	920	1800	480×530	370	400×450	4-φ26	φ460	φ410	12-φ26	JGD4-2	558
300-380A	444 666 833	123.3 185 231.4	41.4 38 30	80	1450	110	5.0	1310	1250	920	1720	480×530	370	400×450	4-φ26	φ460	φ410	12-φ26	JGD4-2	558
300-380B	400 614 764	113.6 170.6 213.1	36 33 26	78	1450	90	5.0	1100	1250	920	1140	480×530	370	400×450	4-φ26	φ460	φ410	12-φ26	JGD4-2	558
300-390	540 720 900	150 200 260	20.6 18 15.5	78 81 76	970	55	5.0	1300	1250	630	1300	400×500	370	350×450	4-φ22	φ460	φ410	12-φ26	JGD4-2	548
300-390A	450 600 720	126 167 200	17.2 15 12.8	77 79 75	970	45	5.0	1220	1250	630	1210	400×500	370	350×450	4-φ22	φ460	φ410	12-φ26	JGD4-2	548
300-390B	400 540 650	111 150 180	14 12.5 11.5	74 77 76	970	37	5.0	1100	1250	630	1170	400×500	370	350×450	4-φ22	φ460	φ410	12-φ26	JGD4-2	548
300-400	450 600 720	126 167 260	54.5 50 42	80	1450	132	5.5	1525	1250	920	1800	480×530	370	400×450	4-φ26	φ460	φ410	12-φ26	JGD4-2	558
300-400A	400 540 650	111 150 180	47 44 37	78	1450	110	5.5	1320	1250	920	1720	480×530	370	400×450	4-φ26	φ460	φ410	12-φ26	JGD4-2	558
300-400B	389 500 626	108 139 173.6	41 38 32	72 77 75	1450	90	5.5	1100	1250	920	1140	480×530	360	400×450	4-φ26	φ460	φ410	12-φ26	JGD4-2	548
300-460	480 720 900	133.3 200 260	71 65 58	75 81 82	1450	185	5.5	1780	1350	685	1350	450×500	350	400×450	4-φ22	φ460	φ410	12-φ26	JGD4-2	548
300-460A	444 666 833	123.3 185 231.4	60 55 49	74 80 81	1450	160	5.5	1680	1350	685	1350	450×500	350	400×450	4-φ22	φ460	φ410	12-φ26	JGD4-2	548
300-480	540 720 900	150 200 260	31 28 24	71 81 80	980	75	5.0	1500	1350	685	1350	400×500	350	350×450	4-φ22	φ460	φ410	12-φ26	JGD4-2	548
300-480A	450 600 720	126 166 200	27.4 24 20.0	78 80 79	980	75	5.0	1280	1350	685	1300	400×500	350	350×450	4-φ22	φ460	φ410	12-φ26	JGD4-2	548
300-480B	400 540 650	111 150 180	24 21 17	79	980	55	5.0	1180	1350	685	1210	400×500	350	350×450	4-φ22	φ460	φ410	12-φ26	JGD4-2	548
300-500	540 720 900	150 200 260	85 80 70	78 80 78	1450	250	5.5	2250	1400	1000	2135	480×530	360	400×450	4-φ26	φ460	φ410	12-φ26	JGD4-2	548
300-500A	508 675 720	140.6 187.5 200	74 70 61.2	77 79 77	1450	200	5.5	1680	1400	1000	1985	480×530	360	400×450	4-φ26	φ460	φ410	12-φ26	JGD4-2	548
300-500B	468 626 667	130 173.6 185.3	63.8 60 52.5	76 78 76	1450	160	5.5	1570	1400	1000	1890	480×530	360	400×450	4-φ26	φ460	φ410	12-φ26	JGD4-2	548
350-250	480 800 960	133.3 222 267	23 20 17.5	80 83 82	1450	75	4.5	1050	1300	680	1200	500×450	360	450×400	4-φ22	φ520	φ470	16-φ26	JGD4-2	568
350-250	480 800 960	133.3 222 267	23 20 16	26 20 16	970	75	5.0	1200	1300	690	1800	450×550	380	450×550	4-φ26	φ520	φ470	16-φ26	JGD4	568
350-250A	430 715 860	119.4 198.6 238.9	18.5 16 13.0	18.5 16 13.0	970	55	5.0	1100	1300	690	1800	450×550	380	450×550	4-φ26	φ520	φ470	16-φ26	JGD4	568
350-300	600 800 960	167 222 267	22.5 20 17.5	79 82 71	1450	75	4.5	1230	1300	680	1300	500×450	360	450×400	4-φ22	φ520	φ470	16-φ26	JGD4-2	568
350-315	480 800 960	133.3 222 267	35.0 32 37.0	84	1450	90	4.5	1650	1300	680	1400	450×500	360	400×450	4-φ22	φ520	φ470	16-φ26	JGD4-2	568
350-315(I)	900 1200 1400	250 333.3 388.3	36 32 26	74 78 75	1450	160	6.5	1380	1500	1016	2000	510×510	400	460×460	4-φ26	φ520	φ470	16-φ26	JGD4	588
350-315(IA)	819 1092 1310	227.5 303.3 363.9	31 28 23	72 78 73	1450	132	6.5	1300	1500	1016	2000	510×510	400	460×460	4-φ26	φ520	φ470	16-φ26	JGD4	588
350-315(IA)B	745 984 1192	206.9 276.1 331.1	27 25 20	70 74 71	1450	110	6.5	1300	1500	1016	1960	510×510	400	460×460	4-φ26	φ520	φ470	16-φ26	JGD4	588
350-400	600 800 960	167 222 267	22.5 20 17.5	79 82 71	1450	160	4.5	1950	1400	680	1960	450×500	400	400×450	4-φ26	φ520	φ470	16-φ26	JGD4	588
350-400(I)	900 1200 1400	250 333.3 388.3	34 30 23	70 74 72	1450	250	6.5	1860	1400	1115	2290	520×520	400	470×470	4-φ26	φ520	φ470	16-φ26	JGD4	588
350-400(IA)	819 1092 1310	227.5 303.3 363.9	47.5 44 38	68 72 70	1450	250	6.5	1860	1400	1115	2290	520×520	400	470×470	4-φ26	φ520	φ470	16-φ26	JGD4	588

ISG、ISR、ISS、ISH、ISY、ISHY系列泵性能参数表
ISG、ISR、ISS、ISH、ISY、ISHY Series Table of Performance Parameters

型号 Type	流量(Q) Flow Rate		扬程 Delivery Head	效率 Efficiency	转速 Rotating Speed	电机 功率 Motor Power	必需汽 蚀余量 (NPSH) _r	重量 Weight	外形尺寸 Overall Dimensions				安装尺寸 Mounting Dimensions			进出口法兰尺寸 Dimensions of Inlet and Outlet Flanges			隔振器(垫) Vibration Isolator (Pad)	
	(m³/h)	(l/s)	(m)	(%)	(r/min)	(kW)	(m)	(kg)	L	B	H	C1×B1	A	C2×B2	4-d1	D	D1	n-d	规格 Specifications	H1
350-400(I)B	745	206.9	42	60	1450	200	6.5	1860	1400	1115	2290	520×520	400	470×470	4-φ26	φ520	φ470	16-φ26	JGD4	588
	994	278.1	38.5	70																
	1192	331.1	34	68																
350-400	480	133.3	53	80	1450	160	5.0	1950	1300	900	2200	460×510	380	400×450	4-φ26	φ520	φ470	16-φ26	JGD4	568
	800	222.2	50	70																
	960	266.7	46	68																
350-400A	460	126	46.5	79	1450	132	5.0	1900	1300	900	2200	460×510	380	400×450	4-φ26	φ520	φ470	16-φ26	JGD4	568
	750	208.3	44	70																
	900	250	40	68																
350-400B	418	116.1	40	78	1450	110	5.0	1800	1300	900	2200	460×510	410	400×450	4-φ26	φ580	φ470	16-φ26	JGD4	568
	697	193.6	38	70																
	836	232.2	34.5	68																
350-460	1000	277.8	55	74	1450	250	6.0	2250	1400	900	2200	480×530	380	400×450	4-φ26	φ520	φ470	16-φ26	JGD4-2	568
	1200	333.3	50	70																
	1450	402.8	43	68																
350-460A	900	250	47	72	1450	200	6.0	2050	1400	900	2150	480×530	380	400×450	4-φ26	φ520	φ470	16-φ26	JGD4-2	568
	1080	300	44	70																
	1300	360	39	68																
350-480	610	169.4	71	75	1450	220	5.5	2100	1500	900	2200	470×520	380	400×450	4-φ26	φ520	φ470	16-φ26	JGD4-2	568
	860	236.1	66	81																
	1020	283.3	58	79																
350-480A	574	159.4	65	75	1450	200	5.5	2035	1500	900	2150	470×520	380	400×450	4-φ26	φ520	φ470	16-φ26	JGD4-2	568
	800	226.1	60	80																
	960	283.3	53	79																
400-300	820	228	23	78	1450	90	6.0	1570	1350	710	1500	500×450	380	450×400	4-φ22	φ580	φ525	16-φ30	JGD4-2	598
	1080	300	20	70																
	1300	361	16	68																
400-315	820	205	36.5	78	1450	132	6.0	1880	1350	710	1750	500×450	380	450×400	4-φ22	φ580	φ525	16-φ30	JGD4-2	598
	1080	300	32	70																
	1300	344	27	68																
400-400	650	180.6	15	83	970	55	5.0	1800	1700	750	2000	550×650	410	500×600	4-φ26	φ580	φ525	16-φ30	JGD4	598
	1080	300	12.5	75																
	1300	361	11.0	70																
400-400A	580	161.1	12	82	970	45	5.0	1650	1700	680	1800	550×650	410	500×600	4-φ26	φ580	φ525	16-φ30	JGD4	598
	988	268.3	10	80																
	1160	322.2	8.6	75																
400-500	650	180.6	23.5	81	970	90	5.0	2100	1800	900	2200	550×650	410	500×600	4-φ26	φ580	φ525	16-φ30	JGD4	598
	1080	300	20	75																
	1300	361	18	70																
400-500A	600	166.7	20	80	970	75	5.0	2000	1800	900	2200	550×650	410	500×600	4-φ26	φ580	φ525	16-φ30	JGD4	598
	996	276.7	17	75																
	1200	333.3	16	70																
400-500B	580	155.6	17.5	78	970	55	5.0	2000	1800	900	2200	550×650	410	500×600	4-φ26	φ580	φ525	16-φ30	JGD4	598
	935	259.7	16	75																
	1120	311.1	13.2	70																
400-625	650	180.6	35	82	970	132	5.0	2500	1900	950	2400	550×650	410	500×600	4-φ26	φ580	φ525	16-φ30	JGD4	598
	1080	300	32	75																
	1300	361	29	70																
400-625A	600	166.7	30	81	970	110	5.0	2400	1900	950	2400	550×650	410	500×600	4-φ26	φ580	φ525	16-φ30	JGD4	598
	996	276.7	27	75																
	1200	333.3	25	70																
400-625B	580	155.6	28	80	970	90	5.0	2300	1900	950	2400	550×650	410	500×600	4-φ26	φ580	φ525	16-φ30	JGD4	598
	935	259.7	24	75																
	1120	311.1	21.5	70																
500-300	1000	277.8	23	80	1450	110	6.0	1800	1450	750	1700	550×480	420	480×440	4-φ26	φ715	φ650	20-φ33	JGD4-2	648
	1200	333	20	75																
	1450	403	16.0	70																
500-315	1000	278	34.5	78	1450	160	6.0	2070	1450	750	1960	550×480	720	480×440	4-φ26	φ715	φ650	20-φ33	JGD4-2	648
	1200	333	32	75																
	1450	403	27	70																
500-400	750	208.3	14.5	81	970	75	5.0	2100	1800	900	2200	650×750	460	600×700	4-φ26	φ715	φ650	20-φ33	JGD4	648
	1200	333.3	12.5	75																
	1500	416.7	11	70																
500-400A	670	186.1	11.5	80	970	55	5.0	2000	1800	900	2200	650×750	460	600×700	4-φ26	φ715	φ650	20-φ33	JGD4	648
	1073	298.1	10	75																
	1340	372.2	8.8	70																
500-500	750	208.3	24	82	970	110	5.0	2200	1900	980	2300	650×750	460	600×700	4-φ26	φ715	φ650	20-φ33	JGD4	648
	1200	333.3	20	75																
	1500	416.7	18	70																
500-500A	690	191.7	20	80	970	90	5.0	1635	1900	980	2200	650×750	460	600×700	4-φ26	φ715	φ650	20-φ33	JGD4	648
	1106	307.2	17	75																
	1380	383.3	16	70																
500-500B	648	180	17.5	80	970	75	5.0	1750	1900	980	2200	650×750	460	600×700	4-φ26	φ715	φ650	20-φ33	JGD4	648
	1040	288.9	16	75																
	1296	360	13.5	70																
500-625	750	208.3	35	81	970	160	5.0	1650	2100	980	2400	650×750	460	600×700	4-φ26	φ715	φ650	20-φ33	JGD4	648
	1200	333.3	32	75																
	1500	416.7	29	70																
500-625A	690	191.7	29.5	80	970	132	5.0	1750	2100	980	2400	650×750	460	600×700	4-φ26	φ715	φ650	20-φ33	JGD4	648
	1106	307.2	27	75																
	1380	383.3	24.5	70																
500-625B	648	180	26	79	970	110	5.0	1650	2100	980	2300	650×750	460	600×700	4-φ26	φ715	φ650	20-φ33	JGD4	648
	1040	288.9	24	75																
	1296	360	22	70																

ISGD、ISRD、ISSD、ISHD、ISYD、ISHYD系列泵性能参数表
ISGD、ISRD、ISSD、ISHD、ISYD、ISHYD Series Table of Performance

型号 Type	流量(Q) Flow Rate		扬程 Delivery Head	效率 Efficiency	转速 Rotating Speed	电机功率 Motor Power	必需汽蚀余量 (NPSH) _r	重量 Weight	外形尺寸 Overall Dimensions				安装尺寸 Mounting Dimensions			进出口法兰尺寸 Dimensions of Inlet and Outlet Flanges			隔振器(垫) Vibration Isolator (Pad)	
	(m³/h)	(l/s)	(m)	(%)	(r/min)	(kW)	(m)	(kg)	L	B	H	C1×B1	A	C2×B2	4-d1	D	D1	n-d	规格 Specifications	H1
40-100	2.2 3.2 4.2	0.61 0.89 1.17	3.3 2.8	48	1400	0.12	2.5	17	260	230	445	100×150	85	70×115	4-φ14	φ150	φ110	4-φ18	SD41-0.5	105
40-125	2.2 3.2 4.2	0.61 0.89 1.17	5.5 5	40	1400	0.18	2.5	19	280	230	445	100×150	85	70×115	4-φ14	φ150	φ110	4-φ18	SD41-0.5	105
40-125A	2.0 2.8 3.7	0.56 0.78 1.03	4.4 4 3.6	39	1400	0.12	2.5	19	280	230	445	100×150	85	70×115	4-φ14	φ150	φ110	4-φ18	SD41-0.5	105
40-160	2.2 3.2 4.2	0.61 0.89 1.17	8.5 8	36	1400	0.25	2.5	24	320	270	505	100×150	90	70×115	4-φ14	φ150	φ110	4-φ18	SD61-0.5	115
40-160A	2.0 2.8 3.7	0.56 0.78 1.03	6.8 6.4	35	1400	0.18	2.5	22	320	270	485	100×150	90	70×115	4-φ14	φ150	φ110	4-φ18	SD61-0.5	115
40-200	2.2 3.2 4.2	0.61 0.89 1.17	13 12.5	31	1450	0.55	2.5	38	340	330	560	120×170	95	80×135	4-φ14	φ150	φ110	4-φ18	SD61-0.5	115
40-200A	2.0 2.8 3.7	0.56 0.78 1.03	10.4 9.6	30	1400	0.37	2.5	30	340	330	540	120×170	95	80×135	4-φ14	φ150	φ110	4-φ18	SD61-0.5	115
40-250	2.2 3.2 4.2	0.61 0.89 1.17	20.5 18.5	25	1450	1.1	2.5	52	400	405	630	120×170	95	80×135	4-φ14	φ150	φ110	4-φ18	SD61-0.5	115
40-250A	2.0 2.8 3.7	0.56 0.78 1.03	16.4 16	25	1450	0.75	2.5	47	400	405	630	120×170	95	80×135	4-φ14	φ150	φ110	4-φ18	SD61-0.5	115
40-250B	1.6 2.2 3.4	0.44 0.62 0.94	13.2 12	24	1450	0.55	2.5	46	400	405	565	120×170	95	80×135	4-φ14	φ150	φ110	4-φ18	SD61-0.5	115
40-100(I)	3.8 6.3 7.5	1.06 1.75 2.08	3.4 3	54	1400	0.12	2.5	17	300	230	455	120×170	90	80×135	4-φ14	φ150	φ110	4-φ18	SD41-0.5	110
40-125(I)	3.8 6.3 7.5	1.06 1.75 2.08	5.4 5.0	54	1400	0.25	2.5	29	300	240	465	120×170	90	80×135	4-φ14	φ150	φ110	4-φ18	SD41-0.5	110
40-125(I)A	3.4 5.6 6.7	0.94 1.56 1.86	4.3 4.0	52	1400	0.18	2.5	24	300	240	450	120×170	90	80×135	4-φ14	φ150	φ110	4-φ18	SD41-0.5	110
40-160(I)	3.8 6.3 7.5	1.06 1.75 2.08	8.5 8.0	47	1450	0.55	2.5	43	340	300	550	120×170	95	80×135	4-φ14	φ150	φ110	4-φ18	SD61-0.5	115
40-160(I)A	3.0 5.1 6.1	0.83 1.42 1.69	5.6 5.3	45	1400	0.25	2.5	30	340	300	515	120×170	95	80×135	4-φ14	φ150	φ110	4-φ18	SD61-0.5	115
40-200(I)	3.8 6.3 7.5	1.06 1.75 2.08	13.1 12	40	1450	0.75	2.5	45	360	350	635	120×170	95	80×135	4-φ14	φ150	φ110	4-φ18	SD61-0.5	115
40-200(I)A	3.3 5.5 6.5	0.92 1.53 1.81	10 9.5	39	1450	0.55	2.5	44	360	350	570	120×170	95	80×135	4-φ14	φ150	φ110	4-φ18	SD61-0.5	115
40-250(I)	3.8 6.3 7.5	1.06 1.75 2.08	20.5 19.5	32	1450	1.5	2.5	54	450	430	780	140×200	105	100×160	4-φ18	φ150	φ110	4-φ18	JSD2-3	205
40-250(I)A	3.4 5.6 6.7	0.94 1.56 1.86	16.4 16	32	1450	1.1	2.5	49	450	360	650	140×200	105	100×160	4-φ18	φ150	φ110	4-φ18	JSD2-3	205
40-250(I)B	3.1 5.1 6.1	0.86 1.42 1.69	13.2 13	30	1450	0.75	2.5	42	450	360	650	140×200	105	100×160	4-φ18	φ150	φ110	4-φ18	JSD2-3	205
50-100	3.8 6.3 7.5	1.06 1.75 2.08	3.4 3	54	1400	0.12	2.5	19	290	230	455	100×150	95	70×115	4-φ14	φ165	φ125	4-φ18	SD41-0.5	115
50-125	3.8 6.3 7.5	1.06 1.75 2.08	5.4 5.0	54	1400	0.25	2.5	25	300	240	465	100×150	95	70×115	4-φ14	φ165	φ125	4-φ18	SD41-0.5	105
50-125A	3.4 5.6 6.7	0.94 1.56 1.86	4.3 4.0	52	1400	0.18	2.5	19	300	240	450	100×150	95	70×115	4-φ14	φ165	φ125	4-φ18	SD41-0.5	105
50-160	3.8 6.3 7.5	1.06 1.75 2.08	8.5 8.0	47	1450	0.55	2.5	42	320	300	550	120×170	100	80×135	4-φ14	φ165	φ125	4-φ18	SD61-0.5	120
50-160A	3.0 5.1 6.1	0.83 1.42 1.69	5.6 5.3	45	1400	0.25	2.5	37	320	300	515	120×170	100	80×135	4-φ14	φ165	φ125	4-φ18	SD61-0.5	120
50-200	3.8 6.3 7.5	1.06 1.75 2.08	13.1 12	40	1450	0.75	2.5	48	360	350	635	120×170	100	80×135	4-φ14	φ165	φ125	4-φ18	SD61-0.5	120
50-200A	3.3 5.5 6.5	0.92 1.53 1.81	10 9.5	39	1450	0.55	2.5	46	360	350	570	120×170	100	80×135	4-φ14	φ165	φ125	4-φ18	SD61-0.5	120
50-250	3.8 6.3 7.5	1.06 1.75 2.08	20.5 20	32	1450	1.5	2.5	58	440	430	780	140×200	105	100×160	4-φ18	φ165	φ125	4-φ18	JGD2-3	205
50-250A	3.4 5.6 6.7	0.94 1.56 1.86	16.4 16	32	1450	1.1	2.5	50	440	360	650	140×200	105	100×160	4-φ18	φ165	φ125	4-φ18	JGD2-3	205
50-250B	3.1 5.1 6.1	0.86 1.42 1.69	13.2 13	30	1450	0.75	2.5	49	440	360	650	140×200	105	100×160	4-φ18	φ165	φ125	4-φ18	JGD2-3	205
50-100(I)	7.5 12.5 15	2.08 3.47 4.17	3.5 3	63	1400	0.25	2.5	23	320	235	475	140×200	105	100×160	4-φ18	φ160	φ125	4-φ18	SD41-0.5	125
50-125(I)	7.5 12.5 15	2.08 3.47 4.17	5.4 5.0	63	1400	0.37	2.5	34	340	280	550	140×200	95	100×160	4-φ18	φ165	φ125	4-φ18	SD61-0.5	110
50-125(I)A	6.6 11.0 13.2	1.83 3.05 3.67	4.1 3.9	60	1400	0.25	2.5	33	340	280	515	140×200	95	100×160	4-φ18	φ165	φ125	4-φ18	SD61-0.5	110
50-160(I)	7.5 12.5 15	2.08 3.47 4.17	8.8 8	59	1450	0.55	2.8	46	360	305	570	140×200	100	100×160	4-φ18	φ165	φ125	4-φ18	SD61-0.5	120
50-160(I)A	6.5 10.8 13.2	1.81 3.0 3.61	6.6 6	57	1400	0.37	2.8	37	360	305	570	140×200	100	100×160	4-φ18	φ165	φ125	4-φ18	SD61-0.5	120
50-200(I)	7.5 12.5 15	2.08 3.47 4.17	13.2 12.5	54	1450	1.1	2.8	52	380	350	635	140×200	105	100×160	4-φ18	φ165	φ125	4-φ18	SD61-0.5	125
50-200(I)A	6.8 11.3 13.5	1.89 3.14 3.75	10.7 10.1	53	1450	0.75	2.8	48	380	350	635	140×200	105	100×160	4-φ18	φ165	φ125	4-φ18	SD61-0.5	125

ISGD、ISRD、ISSD、ISHD、ISYD、ISHYD系列泵性能参数表
ISGD、ISRD、ISSD、ISHD、ISYD、ISHYD Series Table of Performance

型号 Type	流量(Q) Flow Rate		扬程 Delivery Head (m)	效率 Efficiency (%)	转速 Rotating Speed (r/min)	电机 功率 Motor Power (kW)	必需汽 蚀余量 (NPSH) _r (m)	重量 Weight (kg)	外形尺寸 Overall Dimensions				安装尺寸 Mounting Dimensions			进出口法兰尺寸 Dimensions of Inlet and Outlet Flanges			隔振器(垫) Vibration Isolator (Pad)	
	(m ³ /h)	(l/s)							L	B	H	C1×B1	A	C2×B2	4-φ1	D	D1	n-d	规格 Specifications	H1
50-250(I)	7.6 12.5 15	2.08 3.47 4.17	21 20 19.4	45	1450	2.2	2.8	73	460	435	785	160×220	110	120×180	4-φ18	φ165	φ125	4-φ18	JGD2-3	210
50-250(I)A	7.0 11.7 14.1	1.94 3.25 3.92	18.4 17.6 17	44	1450	1.5	2.8	65	460	435	785	160×220	110	120×180	4-φ18	φ165	φ125	4-φ18	JGD2-3	210
50-250(I)B	6.1 10.2 12.3	1.69 2.83 3.42	14.1 13.4 13.0	43	1450	1.1	2.8	60	460	435	785	160×220	110	120×180	4-φ18	φ165	φ125	4-φ18	JGD2-3	210
50-315(I)	7.6 12.5 15	2.08 3.47 4.17	32.3 32 31.7	36	1450	4.0	2.8	89	550	510	920	190×280	110	160×220	4-φ18	φ165	φ125	4-φ18	JGD2-3	210
50-315(I)A	7 11.7 14	1.94 3.25 3.92	28.1 28 27.6	36	1450	3.0	2.8	84	550	470	855	190×280	110	160×220	4-φ18	φ165	φ125	4-φ18	JGD2-3	210
50-315(I)B	6.1 10.2 12.1	1.69 2.81 3.36	21.2 21 20.8	34	1450	3.0	2.8	82	550	435	830	190×280	110	160×220	4-φ18	φ165	φ125	4-φ18	JGD2-3	210
65-100	7.6 12.5 15	2.08 3.47 4.17	3.5 3.5 3.5	63	1400	0.25	2.8	29	320	235	475	140×200	105	100×160	4-φ18	φ185	φ145	4-φ18	SD41-0.5	125
65-125	7.6 12.5 15	2.08 3.47 4.17	5.4 5.4 4.7	63	1400	0.37	2.8	32	340	280	550	140×200	100	100×160	4-φ18	φ185	φ145	4-φ18	SD61-0.5	120
65-125A	6.6 11.0 13.2	1.83 3.06 3.67	4.1 3.8 3.6	60	1400	0.25	2.8	27	340	280	515	140×200	100	100×160	4-φ18	φ185	φ145	4-φ18	SD61-0.5	120
65-160	7.6 12.5 15	2.08 3.47 4.17	8.8 8.8 7.2	59	1450	0.55	2.8	46	360	305	570	140×200	100	100×160	4-φ18	φ185	φ145	4-φ18	SD61-0.5	120
65-160A	6.6 10.8 13.0	1.81 3.0 3.61	6.6 6.4 5.4	57	1400	0.37	2.8	35	360	305	570	140×200	100	100×160	4-φ18	φ185	φ145	4-φ18	SD61-0.5	120
65-200	7.6 12.5 15	2.08 3.47 4.17	13.2 12.6 11.8	54	1450	1.1	2.8	52	380	350	635	140×200	105	100×160	4-φ18	φ185	φ145	4-φ18	SD61-0.5	125
65-200A	6.8 11.3 13.5	1.89 3.14 3.75	10.7 10.1 9.6	53	1450	0.75	2.8	48	380	350	635	140×200	105	100×160	4-φ18	φ185	φ145	4-φ18	SD61-0.5	125
65-250	7.6 12.5 15	2.08 3.47 4.17	21 21 19.4	45	1450	2.2	2.8	76	480	435	785	160×220	110	120×180	4-φ18	φ185	φ145	4-φ18	JGD2-3	210
65-250A	7.0 11.7 14.1	1.94 3.25 3.92	18.4 17.6 17	44	1450	1.5	2.8	68	480	435	785	160×220	110	120×180	4-φ18	φ185	φ145	4-φ18	JGD2-3	210
65-250B	6.1 10.2 12.3	1.69 2.83 3.42	14.1 13.4 13.0	43	1450	1.1	2.8	63	480	435	785	160×220	110	120×180	4-φ18	φ185	φ145	4-φ18	JGD2-3	210
65-315	7.6 12.5 15	2.08 3.47 4.17	32.3 32 31.7	36	1450	4.0	2.8	89	550	510	920	160×220	110	120×180	4-φ18	φ185	φ145	4-φ18	JGD2-3	210
65-315A	7 11.7 14	1.94 3.25 3.92	28.1 28 27.6	36	1450	3.0	2.8	85	550	470	855	160×220	110	120×180	4-φ18	φ185	φ145	4-φ18	JGD2-3	210
65-315B	6.1 10.1 12.1	1.69 2.81 3.36	21.2 21 20.8	34	1450	3.0	2.8	82	550	435	835	160×220	110	120×180	4-φ18	φ185	φ145	4-φ18	JGD2-3	210
65-100(I)	15 25 30	4.17 6.94 8.33	3.5 3 2.5	70	1400	0.37	2.8	33	400	285	570	140×200	120	100×160	4-φ18	φ185	φ145	4-φ18	SD61-0.5	140
65-125(I)	15 25 30	4.17 6.94 8.33	5.6 5 4.5	70	1450	0.75	2.8	49	400	360	660	140×200	120	100×160	4-φ18	φ185	φ145	4-φ18	SD61-0.5	140
65-125(I)A	13.1 21.9 25	3.05 5.05 5.5	4.3 3.8 3.4	65	1450	0.55	2.8	48	400	315	595	140×200	120	100×160	4-φ18	φ185	φ145	4-φ18	SD61-0.5	140
65-160(I)	15 25 30	4.17 6.94 8.33	8 8 7.2	68	1450	1.1	2.8	54	400	360	660	140×200	125	100×160	4-φ18	φ185	φ145	4-φ18	SD61-0.5	145
65-160(I)A	13.0 21.6 25.9	3.61 6.0 7.19	6.7 6.0 5.4	65	1450	0.75	2.8	48	400	360	660	140×200	125	100×160	4-φ18	φ185	φ145	4-φ18	SD61-0.5	145
65-200(I)	15 25 30	4.17 6.94 8.33	13.2 12.6 11.8	64	1450	2.2	2.8	71	450	430	795	140×200	125	100×160	4-φ18	φ185	φ145	4-φ18	JGD2-3	225
65-200(I)A	14.0 23.3 27.9	3.89 6.47 7.75	11.5 10.9 10.2	63	1450	1.5	2.8	62	450	430	795	140×200	125	100×160	4-φ18	φ185	φ145	4-φ18	JGD2-3	225
65-250(I)	15 25 30	4.17 6.94 8.33	21 20 18.8	59	1450	3.0	2.8	85	480	465	870	160×220	130	120×180	4-φ18	φ185	φ145	4-φ18	JGD2-3	230
65-250(I)A	13.3 22.2 26.6	3.69 6.17 7.39	16.6 15.8 14.8	58	1450	2.2	2.8	80	480	430	850	160×220	130	120×180	4-φ18	φ185	φ145	4-φ18	JGD2-3	230
65-250(I)B	11.9 19.8 23.8	3.31 5.5 6.61	13.2 12.6 11.8	57	1450	1.5	2.8	74	480	430	805	160×220	130	120×180	4-φ18	φ185	φ145	4-φ18	JGD2-3	230
65-315(I)	15 25 30	4.17 6.94 8.33	32.5 32 31.5	50	1450	5.5	2.8	120	580	530	1000	190×280	130	160×220	4-φ18	φ185	φ145	4-φ18	JGD2-3	230
65-315(I)A	14 23 28	3.89 6.39 7.73	28.3 27.9 27.4	50	1450	4.0	2.8	110	580	530	1000	190×280	130	160×220	4-φ18	φ185	φ145	4-φ18	JGD2-3	230
65-315(I)B	12.1 20.2 24.2	3.36 5.61 6.75	21.3 21 20.6	49	1450	3.0	2.8	100	580	530	1000	190×280	130	160×220	4-φ18	φ185	φ145	4-φ18	JGD2-3	230
80-100	15 25 30	4.17 6.94 8.33	3.5 3 2.5	70	1400	0.37	2.8	33	400	285	570	140×200	120	100×160	4-φ18	φ200	φ160	8-φ18	SD61-0.5	140
80-125	15 25 30	4.17 6.94 8.33	5.6 5 4.5	70	1450	0.75	2.8	48	400	360	660	140×200	120	100×160	4-φ18	φ200	φ160	8-φ18	SD61-0.5	140
80-125A	13.1 21.9 25	3.05 5.05 5.5	4.3 3.8 3.4	65	1450	0.55	2.8	45	400	315	595	140×200	120	100×160	4-φ18	φ200	φ160	8-φ18	SD61-0.5	140
80-160	15 25 30	4.17 6.94 8.33	8 8 7.5	68	1450	1.1	2.8	55	400	360	660	140×200	125	100×160	4-φ18	φ200	φ160	8-φ18	SD61-0.5	145
80-160A	13.0 21.6 25.9	3.61 6.0 7.19	6.7 6.0 5.4	65	1450	0.75	2.8	51	400	360	660	140×200	125	100×160	4-φ18	φ200	φ160	8-φ18	SD61-0.5	145

ISGD、ISRD、ISSD、ISHD、ISYD、ISHYD系列泵性能参数表
ISGD、ISRD、ISSD、ISHD、ISYD、ISHYD Series Table of Performance

型号 Type	流量(Q) Flow Rate		扬程 Delivery Head	效率 Efficiency	转速 Rotating Speed	电机 功率 Motor Power	必需汽 蚀余量 (NPSH) _r	重量 Weight	外形尺寸 Overall Dimensions				安装尺寸 Mounting Dimensions			进出口法兰尺寸 Dimensions of Inlet and Outlet Flanges			隔振器(垫) Vibration Isolator (Pad)	
	(m³/h)	(l/s)							(m)	(%)	(r/min)	(kW)	(m)	(kg)	L	B	H	C1×B1	A	C2×B2
80-200	15 20 30	4.17 5.56 8.33	13.2 11.5 11.5	64	1450	2.2	2.8	72	430	430	795	140×200	125	100×160	4-φ18	φ200	φ160	8-φ18	JGD2-3	225
80-200A	14.0 23.3 27.9	3.89 6.47 7.75	11.5 10.9 10.2	63	1450	1.5	2.8	64	430	430	795	140×200	125	100×160	4-φ18	φ200	φ160	8-φ18	JGD2-3	225
80-250	16 25 30	4.17 6.94 8.33	21 18.9 18.9	59	1450	3.0	2.8	89	480	465	870	160×220	130	120×180	4-φ18	φ200	φ160	8-φ18	JGD2-3	230
80-250A	13.3 22.2 26.6	3.69 6.17 7.39	16.6 15.8 14.8	58	1450	2.2	2.8	85	480	430	850	160×220	130	120×180	4-φ18	φ200	φ160	8-φ18	JGD2-3	230
80-250B	11.9 19.8 23.8	3.31 5.5 6.81	13.2 12.6 11.8	57	1450	1.5	2.8	78	480	430	805	160×220	130	120×180	4-φ18	φ200	φ160	8-φ18	JGD2-3	230
80-315	15 25 30	4.17 6.94 8.33	32.5 31.5 31.5	50	1450	5.5	2.8	130	580	530	1000	190×280	130	160×220	4-φ18	φ200	φ160	8-φ18	JGD2-3	230
80-315A	14 23 28	3.89 6.39 7.78	28.3 27.9 27.4	50	1450	4.0	2.8	102	580	530	1000	190×280	130	160×220	4-φ18	φ200	φ160	8-φ18	JGD2-3	230
80-315B	12.1 20.2 24.3	3.35 5.5 6.75	21.3 20.6 20.6	49	1450	3.0	2.8	95	580	530	1000	190×280	130	160×220	4-φ18	φ200	φ160	8-φ18	JGD2-3	230
80-100(I)	30 50 60	8.33 13.89 16.67	3.5 3 2.5	73	1450	0.75	3.0	58	460	360	675	160×220	140	120×180	4-φ18	φ200	φ160	8-φ18	SD61-0.5	160
80-125(I)	30 50 60	8.33 13.89 16.67	6 5.4 4	73	1450	1.1	3.0	61	450	430	805	160×220	140	120×180	4-φ18	φ200	φ160	8-φ18	SD61-0.5	240
80-125(I)A	26.8 44.6 53.5	7.44 12.4 14.9	4.8 4.2 4.2	63	1450	1.1	3.0	61	450	350	675	160×220	140	120×180	4-φ18	φ200	φ160	8-φ18	JGD2-3	240
80-160(I)	30 50 60	8.33 13.89 16.67	8.2 8 6.8	73	1450	2.2	3.0	82	500	430	835	160×220	160	120×180	4-φ18	φ200	φ160	8-φ18	JGD2-3	260
80-160(I)A	26.7 44.5 53.4	7.42 12.36 14.83	7.3 6.3 5.4	71	1450	1.5	3.0	74	500	430	835	160×220	160	120×180	4-φ18	φ200	φ160	8-φ18	JGD2-3	260
80-200(I)	30 50 60	8.33 13.89 16.67	13.6 11.8 11.8	72	1450	3.0	3.0	97	480	475	880	160×220	135	120×180	4-φ18	φ200	φ160	8-φ18	JGD2-3	235
80-200(I)A	26.7 44.6 53.5	7.42 12.36 14.83	10.7 9.9 9.4	71	1450	2.2	3.0	93	480	430	860	160×220	135	120×180	4-φ18	φ200	φ160	8-φ18	JGD2-3	235
80-250(I)	30 50 60	8.33 13.89 16.67	21.3 19 19	66	1450	5.5	3.0	134	550	520	1015	190×280	155	160×220	4-φ18	φ200	φ160	8-φ18	JGD2-3	275
80-250(I)A	26.7 46.7 56	7.42 12.97 15.56	18.6 17.4 16.6	65	1450	4.0	3.0	106	550	520	1015	190×280	155	160×220	4-φ18	φ200	φ160	8-φ18	JGD2-3	275
80-250(I)B	24.2 40.4 48.5	6.72 11.22 13.47	13.9 13.1 12.4	63	1450	3.0	3.0	100	550	520	1015	190×280	155	160×220	4-φ18	φ200	φ160	8-φ18	JGD2-3	275
80-315(I)	30 50 60	8.33 13.89 16.67	34 30 30	61	1450	11.0	3.0	217	640	700	1235	190×280	165	160×220	4-φ18	φ200	φ160	8-φ18	JGD2-3	285
80-315(I)A	26.7 46.7 56	7.42 12.97 15.56	29.6 27.9 26.1	61	1450	7.5	3.0	180	640	645	1165	160×220	165	160×220	4-φ18	φ200	φ160	8-φ18	JGD2-3	285
80-315(I)B	24.3 40.5 48.6	6.72 11.22 13.47	22.3 21 19.1	60	1450	5.5	3.0	166	640	580	1080	190×280	165	160×220	4-φ18	φ200	φ160	8-φ18	JGD2-3	285
100-100	30 50 60	8.33 13.89 16.67	3.5 2.5 2.5	73	1450	0.75	3.0	62	460	360	675	160×220	140	120×180	4-φ18	φ220	φ180	8-φ18	SD61-0.5	160
100-125	30 50 60	8.33 13.89 16.67	6 5.4 4	73	1450	1.1	3.0	70	440	430	805	160×220	140	120×180	4-φ18	φ220	φ180	8-φ18	JGD2-3	240
100-125A	26.8 44.6 53.5	7.44 12.4 14.9	4.8 4.2 4.2	63	1450	1.1	3.0	68	440	350	675	160×220	140	120×180	4-φ18	φ220	φ180	8-φ18	JGD2-3	240
100-160	30 50 60	8.33 13.89 16.67	8.2 8 6.8	73	1450	2.2	3.0	87	500	430	835	160×220	160	120×180	4-φ18	φ220	φ180	8-φ18	JGD2-3	260
100-160A	26.7 44.5 53.4	7.42 12.36 14.83	7.3 6.3 5.4	71	1450	1.5	3.0	79	500	430	835	160×220	160	120×180	4-φ18	φ220	φ180	8-φ18	JGD2-3	260
100-200	30 50 60	8.33 13.89 16.67	13.6 11.8 11.8	72	1450	3.0	3.0	100	480	475	880	160×220	140	120×180	4-φ18	φ220	φ180	8-φ18	JGD2-3	240
100-200A	26.7 44.6 53.5	7.42 12.36 14.83	10.7 9.9 9.4	71	1450	2.2	3.0	90	480	430	860	160×220	140	120×180	4-φ18	φ220	φ180	8-φ18	JGD2-3	240
100-250	30 50 60	8.33 13.89 16.67	21.3 19 19	66	1450	5.5	3.0	140	550	520	1015	160×220	155	120×180	4-φ18	φ220	φ180	8-φ18	JGD3-2	275
100-250A	26.7 46.7 56	7.42 12.97 15.56	18.6 17.4 16.6	65	1450	4.0	3.0	112	550	520	1015	160×220	155	120×180	4-φ18	φ220	φ180	8-φ18	JGD3-2	275
100-250B	24.2 40.4 48.5	6.72 11.22 13.47	13.9 13.1 12.4	63	1450	3.0	3.0	105	550	520	1015	160×220	155	120×180	4-φ18	φ220	φ180	8-φ18	JGD3-2	275
100-315	30 50 60	8.33 13.89 16.67	34 30 30	61	1450	11.0	3.0	225	640	700	1235	230×320	165	170×260	4-φ22	φ220	φ180	8-φ18	JGD3-2	285
100-315A	26.7 46.7 56	7.42 12.97 15.56	29.6 27.9 26.1	61	1450	7.5	3.0	180	640	640	1165	230×320	165	170×260	4-φ22	φ220	φ180	8-φ18	JGD3-2	285
100-315B	24.3 40.5 48.6	6.72 11.22 13.47	22.3 21 19.1	60	1450	5.5	3.0	165	640	580	1080	230×320	165	170×260	4-φ22	φ220	φ180	8-φ18	JGD3-2	285
100-125(I)	60 100 120	16.67 27.78 33.33	6.5 5 4	78	1450	2.2	3.0	95	500	300	807	160×220	160	120×180	4-φ18	φ220	φ180	8-φ18	SD61-0.5	180
100-125(I)A	52.2 87.1 104	14.5 24.2 28.9	4.3 3.8 3.4	76	1450	1.5	3.0	87	500	280	807	160×220	160	120×180	4-φ18	φ220	φ180	8-φ18	SD61-0.5	180
100-160(I)	60 100 120	16.7 27.78 33.33	10 8 7	78	1450	4.0	3.0	118	500	330	884	160×220	170	120×180	4-φ18	φ220	φ180	8-φ18	SD61-0.5	190

ISGD、ISRD、ISSD、ISHD、ISYD、ISHYD系列泵性能参数表
ISGD、ISRD、ISSD、ISHD、ISYD、ISHYD Series Table of Performance

型号 Type	流量(Q) Flow Rate		扬程 Delivery Head	效率 Efficiency	转速 Rotating Speed	电机功率 Motor Power	必需汽蚀余量 (NPSH) _r	重量 Weight	外形尺寸 Overall Dimensions				安装尺寸 Mounting Dimensions			进出口法兰尺寸 Dimensions of Inlet and Outlet Flanges			隔振器(垫) Vibration Isolator (Pad)		
	(m³/h)	(l/s)							(m)	(%)	(r/min)	(kW)	(m)	(kg)	L	B	H	C1×B1	A	C2×B2	4-d1
100-160(I)A	52.2 87.1 104	14.5 24.2 28.9	7.3 6.3 5.4	76	1450	3.0	3.0	113	500	330	884	160×220	170	120×180	4-φ18	φ220	φ180	8-φ18	SD61-0.5	190	
100-200(I)	50 100 120	16.67 27.78 33.33	14.0 12.6 11	75	1450	5.5	3.0	148	540	365	970	160×220	165	120×180	4-φ18	φ220	φ180	8-φ18	SD61-0.5	185	
100-200(I)A	51.7 103 123	14.36 28.61 33.33	10.8 9.2 14.6	73	1450	4.0	3.0	123	540	345	970	160×220	165	120×180	4-φ18	φ220	φ180	8-φ18	SD61-0.5	185	
100-250(I)	60 100 120	16.67 27.78 33.33	21.5 20 18.6	74	1450	11.0	3.0	208	600	435	1121	190×280	175	160×220	4-φ18	φ220	φ180	8-φ18	JGD2-3	275	
100-250(I)A	56 93.3 112	15.56 25.92 31.11	18.7 17.4 16.1	73	1450	7.5	3.0	165	600	360	1121	190×280	175	160×220	4-φ18	φ220	φ180	8-φ18	JGD2-3	275	
100-250(I)B	52.2 104 120	14.5 28.69 33.33	16 14 13	72	1450	5.5	3.0	149	600	360	1121	190×280	175	160×220	4-φ18	φ220	φ180	8-φ18	JGD2-3	275	
100-315(I)	60 100 120	16.67 27.78 33.33	33.5 30.2 27	71	1450	15.0	3.0	234	630	445	1285	250×300	185	210×260	4-φ18	φ220	φ180	8-φ18	JGD2-1	285	
100-315(I)A	55.0 110.0	15.28 30.56	29 25.7	71	1450	11.0	3.0	213	630	445	1285	250×300	185	210×260	4-φ18	φ220	φ180	8-φ18	JGD2-1	285	
100-315(I)B	47 95	13.06 26.13	21 19	70	1450	7.5	3.0	165	630	445	1285	250×300	185	210×260	4-φ18	φ220	φ180	8-φ18	JGD2-1	285	
100-350	30 50 65	8.3 18.1	39 36	58	1450	15.0	4.0	260	680	460	840	230×320	160	170×260	4-φ22	φ220	φ180	8-φ18	4-JGD2	265	
100-350A	28 56.8 60.5	7.78 16.8	34 31	57	1450	11.0	4.0	260	680	460	840	230×320	160	170×260	4-φ22	φ220	φ180	8-φ18	4-JGD2	265	
100-350B	26 43.2 56.5	7.2 12 15.7	29.5 28.5 27	56	1450	11.0	4.0	213	680	460	780	230×320	160	170×260	4-φ22	φ220	φ180	8-φ18	4-JGD2	265	
100-400(I)	60 100 120	16.67 27.78 33.33	52 48.5	65	1450	30.0	3.0	375	710	540	1285	250×300	180	210×260	4-φ18	φ220	φ180	8-φ18	JGD2-2	290	
100-400(I)A	59.4 118.8	15.67 31.33	48 43	65	1450	22.0	3.0	295	710	540	1285	250×300	180	210×260	4-φ18	φ220	φ180	8-φ18	JGD2-2	290	
100-400(I)B	52.3 87 105	14.53 24.17 29.17	38 38 37	64	1450	18.5	3.0	257	710	540	1285	250×300	180	210×260	4-φ18	φ220	φ180	8-φ18	JGD2-2	290	
100-400(I)C	48.5 97	13.54 26.94	34 32	62	1450	15.0	3.0	239	710	540	1285	250×300	180	210×260	4-φ18	φ220	φ180	8-φ18	JGD2-2	290	
125-125	48 80 95	13.3 22.2 26.7	5.5 5 4.3	76	1450	2.2	3.0	148	520	430	840	190×280	170	160×220	4-φ18	φ250	φ210	8-φ18	JGD2-3	270	
125-125A	43 66	11.6 13.9	4.4 3.4	75	1450	1.5	3.0	125	520	430	840	190×280	170	160×220	4-φ18	φ250	φ210	8-φ18	JGD2-3	270	
125-160	48 80 95	13.3 22.2 26.7	9 8 7	74	1450	3.0	3.0	205	520	460	920	190×280	175	160×220	4-φ18	φ250	φ210	8-φ18	JGD2-3	275	
125-160A	42 69.3 83	11.9 19.3 23	6.8 6 5.3	73	1450	2.2	3.0	165	520	430	890	190×280	175	160×220	4-φ18	φ250	φ210	8-φ18	JGD2-3	275	
125-200	48 80 95	13.3 22.2 26.7	13.8 12.6 11.5	73	1450	5.5	3.0	249	540	510	1040	250×300	175	210×260	4-φ18	φ250	φ210	8-φ18	JGD3-2	295	
125-200A	45 75 90	12.5 20.8 25	12 11 10	72	1450	4.0	3.0	237	540	510	1040	250×300	175	210×260	4-φ18	φ250	φ210	8-φ18	JGD3-2	295	
125-250	48 80 95	13.3 22.2 26.7	22 20 18.3	72	1450	7.5	2.8	220	680	660	1180	200×260	170	160×220	4-φ18	φ250	φ210	8-φ18	JGD3-2	290	
125-250A	45 75 90	12.5 20.8 25	19 17 15	71	1450	7.5	2.8	210	680	570	1080	200×260	170	160×220	4-φ18	φ250	φ210	8-φ18	JGD3-2	290	
125-250B	41.5 83	11.5 11.2 23	16.3 15 13.8	70	1450	5.5	2.8	195	680	510	1050	200×260	170	160×220	4-φ18	φ250	φ210	8-φ18	JGD3-2	290	
125-315	48 80 95	13.3 22.2 26.7	33.3 32 29.8	67	1450	15.0	2.5	300	680	685	1350	300×350	180	230×280	4-φ22	φ250	φ210	8-φ18	JGD3-3	300	
125-315A	45 75 90	12.5 20.8 25	29.3 27.5 26	66	1450	11.0	2.5	282	680	685	1350	300×350	180	230×280	4-φ22	φ250	φ210	8-φ18	JGD3-3	300	
125-315B	43 72 96	11.9 20 23.9	26.5 25 23.8	65	1450	11.0	2.5	245	680	685	1350	300×350	180	230×280	4-φ22	φ250	φ210	8-φ18	JGD3-3	300	
125-200(I)	100 160 200	27.8 44.4 55.5	13 12.5 11	82	1450	11.0	3.0	190	680	435	640	220×280	190	160×220	4-φ22	φ250	φ210	8-φ18	JGD2	310	
125-200(I)A	88 143 175	24.4 36.7 48.9	10.5 10 8.8	81	1450	7.5	3.0	170	680	420	620	220×280	190	160×220	4-φ22	φ250	φ210	8-φ18	JGD2	310	
125-250(I)	100 160 200	27.8 44.4 55.5	22.5 20 17	81	1450	15.0	3.0	235	680	420	910	220×280	190	160×220	4-φ22	φ250	φ210	8-φ18	JGD2	310	
122-250(I)A	82 147 184	25.6 40.8 51.1	19 17 14.5	80	1450	11.0	3.0	225	680	420	910	220×280	190	160×220	4-φ22	φ250	φ210	8-φ18	JGD2	310	
125-250(I)B	84 134 168	23.3 37.2 46.6	15.5 14 12	79	1450	7.5	3.0	200	680	415	850	220×280	190	160×220	4-φ22	φ250	φ210	8-φ18	JGD2	310	
125-315(I)	100 160 200	27.8 44.4 55.5	35 32 28	83 74 73	1450	22	3.0	270	740	465	980	260×310	195	210×260	4-φ22	φ250	φ210	8-φ18	JGD2	315	
125-315(I)A	93.5 150 187	26 41.7 51.9	30.5 28 24.5	72	1450	18.5	3.0	250	740	440	950	260×310	195	210×260	4-φ22	φ250	φ210	8-φ18	JGD2	315	
125-315(I)B	85 138 170	23.6 39.7 47.2	24.5 22 18.5	71	1450	15.0	3.0	250	740	440	950	260×310	195	210×260	4-φ22	φ250	φ210	8-φ18	JGD2	315	
125-400(I)	100 160 200	27.8 44.4 55.5	53 50 48		1450	37	3.0	500	780	570	1065	210×270	200	160×220	4-φ22	φ250	φ210	8-φ18	JGD3	342	
125-400(I)A	93.5 150 187	26 41.7 51.9	48.5 44 40.8	70	1450	30	3.0	480	780	560	1050	210×270	200	160×220	4-φ22	φ250	φ210	8-φ18	JGD3	342	
125-400(I)B	85 138 170	23.6 39.7 47.2	40 38 35	70	1450	30	3.0	470	780	560	1050	210×270	200	160×220	4-φ22	φ250	φ210	8-φ18	JGD3	342	