

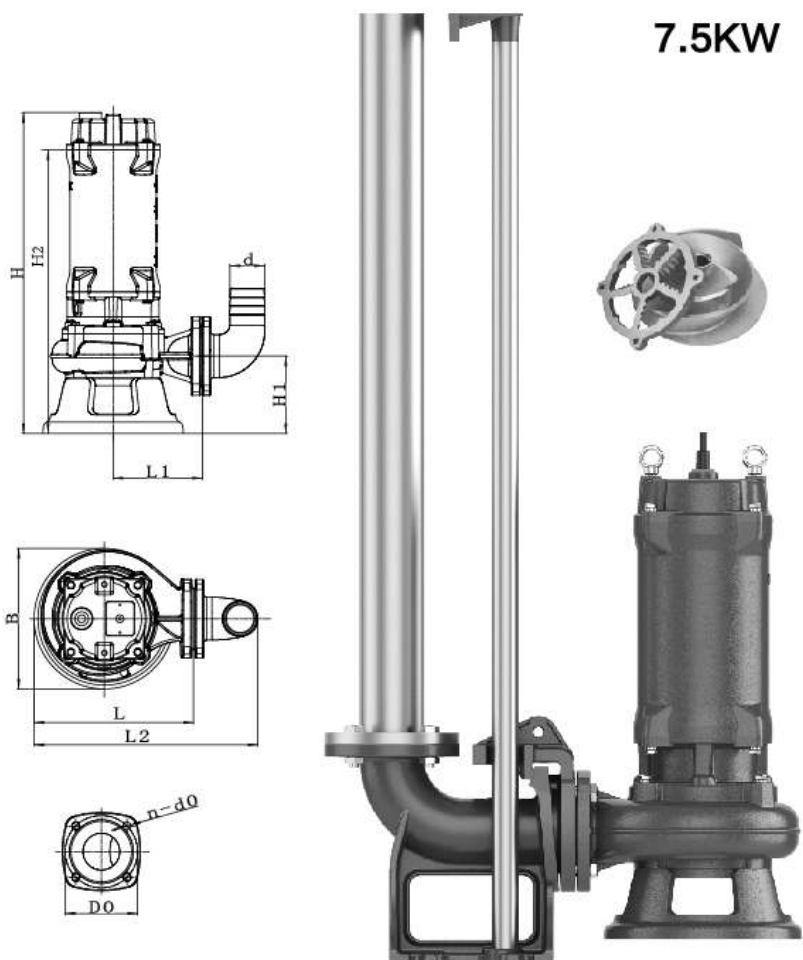
# WC

## PRODUCT NOMENCLATURE

|                  |           |                                |                |            |
|------------------|-----------|--------------------------------|----------------|------------|
| <b>100</b>       | <b>WC</b> | <b>100</b>                     | <b>15</b>      | <b>7.5</b> |
| Outlet Size (mm) | Pump Type | Rated Flow (m <sup>3</sup> /h) | Rated Head (m) | Power (kW) |

## RANGE CHARACTERISTICS

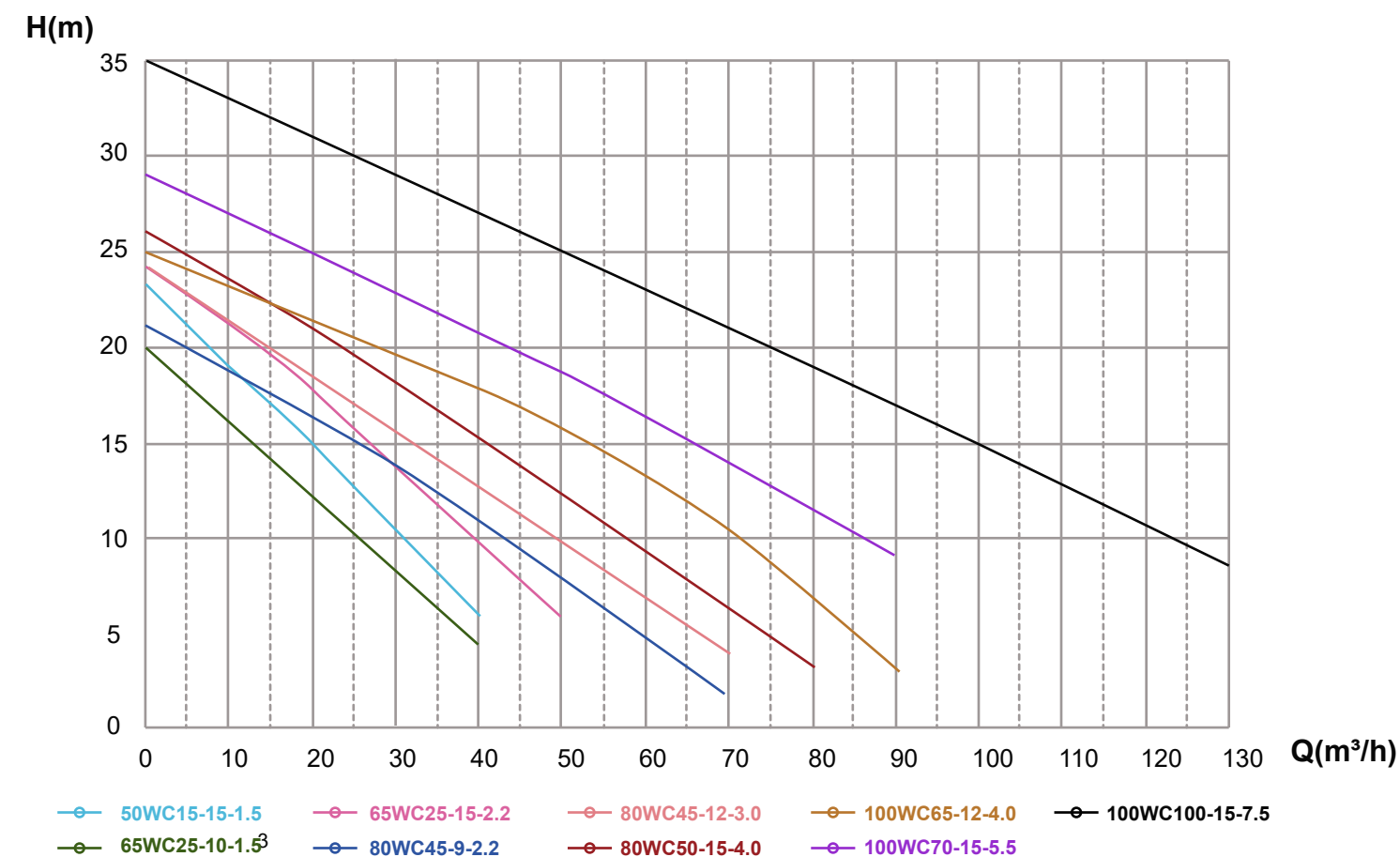
|                      |                            |
|----------------------|----------------------------|
| <b>Power</b>         | <b>0.75-7.5kW</b>          |
| <b>Poles</b>         | <b>2</b>                   |
| <b>Discharge</b>     | <b>DN50 - 100</b>          |
| <b>Max flow rate</b> | <b>130 m<sup>3</sup>/h</b> |
| <b>Max head</b>      | <b>35 m</b>                |



## DIMENSION

| Type            | A (mm) | L (mm) | L2 (mm) | L1 (mm) | B (mm) | H (mm) | H1 (mm) | H2 (mm) | d (mm) | D0 (mm) | n-d0 (mm) |
|-----------------|--------|--------|---------|---------|--------|--------|---------|---------|--------|---------|-----------|
| 50WCD15-15-1.5  | 50     | 237    | 309     | 122     | 186    | 453    | 94      | 378     | 48     | 110     | 13        |
| 50WC15-15-1.5   | 50     | 237    | 309     | 122     | 186    | 453    | 94      | 378     | 48     | 110     | 13        |
| 65WC25-10-1.5   | 65     | 237    | 352     | 131     | 212    | 485    | 111     | 409     | 62     | 130     | 13        |
| 65WC25-15-2.2   | 65     | 286    | 400     | 160     | 252    | 503    | 128     | 426     | 62     | 130     | 13        |
| 80WC45-9-2.2    | 80     | 286    | 405     | 160     | 252    | 503    | 128     | 426     | 74     | 150     | 18        |
| 80WC45-12-3.0   | 80     | 270    | 390     | 165     | 219    | 555    | 120     | 487     | 74     | 150     | 18        |
| 80WC50-15-4.0   | 80     | 290    | 410     | 164     | 253    | 576    | 139     | 509     | 74     | 150     | 18        |
| 100WC65-12-4.0  | 100    | 301    | 410     | 175     | 252    | 635    | 198     | 578     | 100    | 170     | 18        |
| 100WC70-15-5.5  | 100    | 310    | 470     | 170     | 280    | 645    | 146     | 575     | 100    | 170     | 18        |
| 100WC100-15-7.5 | 100    | 320    | 480     | 180     | 293    | 655    | 152     | 585     | 100    | 170     | 18        |

# WC



| Type            | Voltage (V) | Power |      | Q (m <sup>3</sup> /h) | H (m) |     |     |     |     |      |      |      |      |      |      |      |      |     |
|-----------------|-------------|-------|------|-----------------------|-------|-----|-----|-----|-----|------|------|------|------|------|------|------|------|-----|
|                 |             | (KW)  | (HP) |                       | 0     | 10  | 20  | 30  | 40  | 50   | 60   | 70   | 80   | 90   | 100  | 110  | 120  | 130 |
| 50WCD15-15-1.5  | 1Ph/220V    | 1.5   | 2    | 0                     | 167   | 333 | 500 | 633 | 783 | 1000 | 1167 | 1267 | 1500 | 1667 | 1783 | 2000 | 2160 |     |
| 50WC15-15-1.5   | 3Ph/380V    | 1.5   | 2    | 0                     | 23    | 19  | 13  | 11  | 6   |      |      |      |      |      |      |      |      |     |
| 65WC25-10-1.5   | 3Ph/380V    | 1.5   | 2    | 0                     | 20    | 16  | 12  | 8   | 4   |      |      |      |      |      |      |      |      |     |
| 65WC25-15-2.2   | 3Ph/380V    | 2.2   | 3    | 0                     | 24    | 21  | 18  | 14  | 9   | 6    |      |      |      |      |      |      |      |     |
| 80WC45-9-2.2    | 3Ph/380V    | 2.2   | 3    | 0                     | 21    | 18  | 16  | 14  | 11  | 8    | 5    | 2    |      |      |      |      |      |     |
| 80WC45-12-3.0   | 3Ph/380V    | 3     | 4    | 0                     | 23    | 21  | 18  | 16  | 13  | 11   | 7    | 3    |      |      |      |      |      |     |
| 80WC50-15-4.0   | 3Ph/380V    | 4     | 5.5  | 0                     | 26    | 24  | 22  | 20  | 18  | 15   | 11   | 7    | 3    |      |      |      |      |     |
| 100WC65-12-4.0  | 3Ph/380V    | 4     | 5.5  | 0                     | 25    | 23  | 21  | 19  | 17  | 15   | 13   | 11   | 7    | 2.9  |      |      |      |     |
| 100WC70-15-5.5  | 3Ph/380V    | 5.5   | 7.5  | 0                     | 29    | 27  | 25  | 23  | 21  | 19   | 17   | 14   | 12.7 | 8.6  |      |      |      |     |
| 100WC100-15-7.5 | 3Ph/380V    | 7.5   | 10   | 0                     | 35    | 33  | 31  | 29  | 27  | 25   | 23   | 21   | 19   | 17   | 15   | 13   | 11   | 8   |

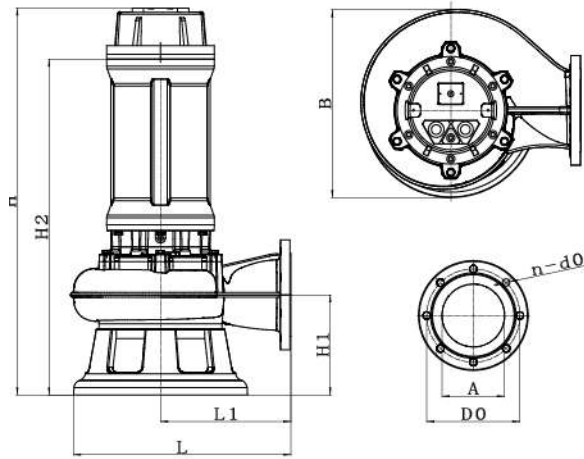
# WC

## PRODUCT NOMENCLATURE

|                  |           |                                |                |             |
|------------------|-----------|--------------------------------|----------------|-------------|
| <b>150</b>       | <b>WC</b> | <b>200</b>                     | <b>20</b>      | <b>18.5</b> |
| Outlet Size (mm) | Pump Type | Rated Flow (m <sup>3</sup> /h) | Rated Head (m) | Power (kW)  |

## RANGE CHARACTERISTICS

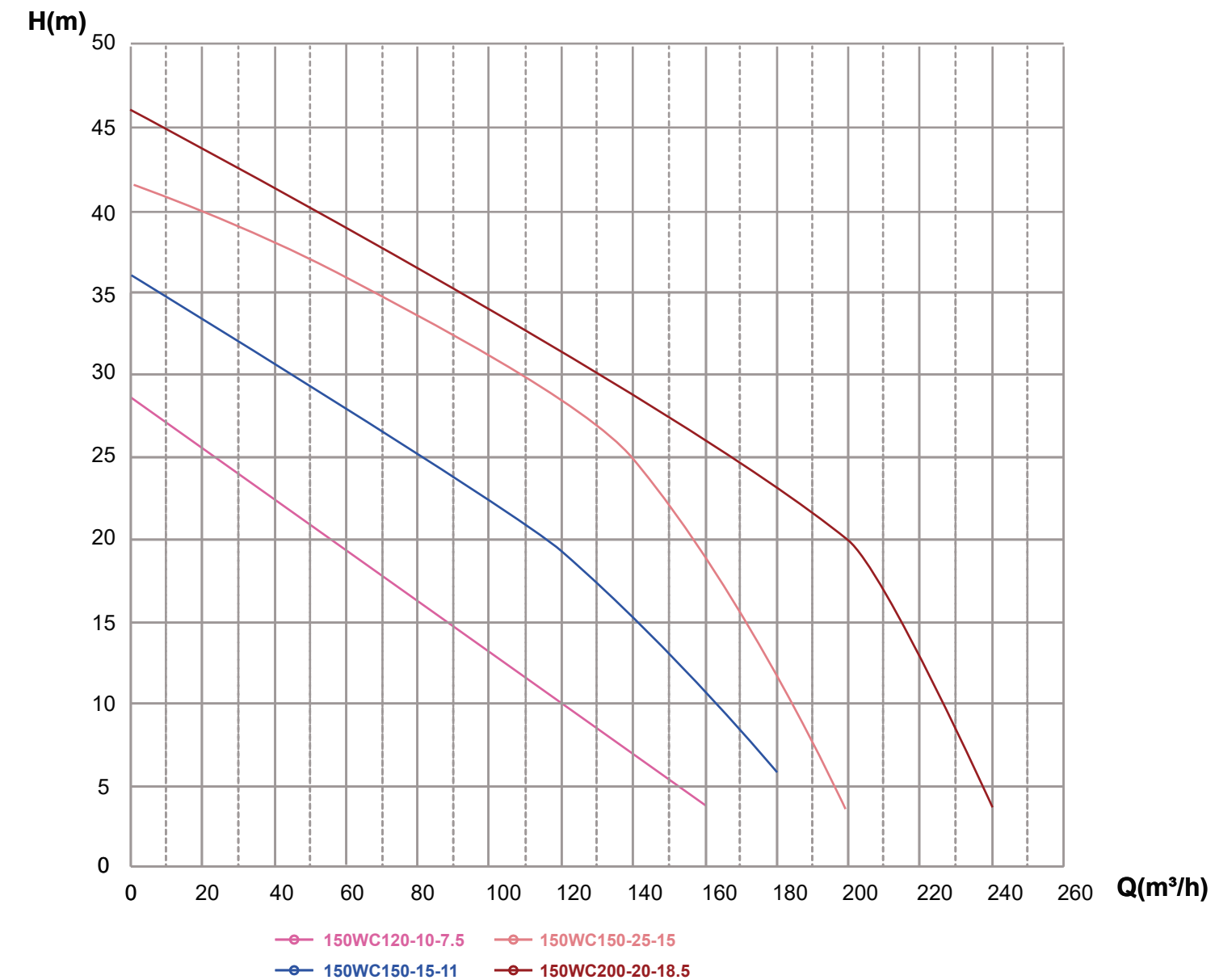
|                      |                            |
|----------------------|----------------------------|
| <b>Power</b>         | <b>7.5-18.5kW</b>          |
| <b>Poles</b>         | <b>2</b>                   |
| <b>Discharge</b>     | <b>DN150</b>               |
| <b>Max flow rate</b> | <b>240 m<sup>3</sup>/h</b> |
| <b>Max head</b>      | <b>46 m</b>                |



## DIMENSION

| Type             | A (mm) | L (mm) | L1 (mm) | B (mm) | H (mm) | H1 (mm) | H2 (mm) | D0 (mm) | n-d0 (mm) |
|------------------|--------|--------|---------|--------|--------|---------|---------|---------|-----------|
| 150WC120-10-7.5  | 150    | 354    | 210     | 302    | 770    | 232     | 705     | 225     | 8-18      |
| 150WC150-15-11   | 150    | 525    | 315     | 455    | 930    | 242     | 790     | 255     | 8-18      |
| 150WC150-25-15   | 150    | 525    | 315     | 455    | 930    | 242     | 790     | 255     | 8-18      |
| 150WC200-20-18.5 | 150    | 525    | 315     | 455    | 1030   | 242     | 890     | 255     | 8-18      |

# WC



| Type             | Voltage (V) | Power |      | Q (m <sup>3</sup> /h)   |    |    |    |    |     |     |     |     |     |     |     |     |  |  |  |      |      |      |      |      |      |      |      |      |      |      |      |      |      |      |                 |          |    |    |    |    |    |    |    |   |   |  |  |  |  |                |          |    |    |    |    |    |    |    |    |    |   |  |  |  |                |          |    |    |    |    |    |    |    |    |    |    |   |  |  |                  |          |    |    |    |    |    |    |    |    |    |    |    |    |   |
|------------------|-------------|-------|------|---|----|----|----|----|-----|-----|-----|-----|-----|-----|-----|-----|--|--|--|------|------|------|------|------|------|------|------|------|------|------|------|------|------|------|-----------------|----------|----|----|----|----|----|----|----|---|---|--|--|--|--|----------------|----------|----|----|----|----|----|----|----|----|----|---|--|--|--|----------------|----------|----|----|----|----|----|----|----|----|----|----|---|--|--|------------------|----------|----|----|----|----|----|----|----|----|----|----|----|----|---|
|                  |             | (KW)  | (HP) | 0   | 20 | 40 | 60 | 80 | 100 | 120 | 140 | 160 | 180 | 200 | 220 | 240 |  |  |  |      |      |      |      |      |      |      |      |      |      |      |      |      |      |      |                 |          |    |    |    |    |    |    |    |   |   |  |  |  |  |                |          |    |    |    |    |    |    |    |    |    |   |  |  |  |                |          |    |    |    |    |    |    |    |    |    |    |   |  |  |                  |          |    |    |    |    |    |    |    |    |    |    |    |    |   |
| 150WC120-10-7.5  | 3Ph/380V    | 7.5   | 10   | <table border="1"> <thead> <tr> <th colspan="2">H(m)</th> <th>0</th> <th>333</th> <th>633</th> <th>1000</th> <th>1267</th> <th>1667</th> <th>2000</th> <th>2333</th> <th>2667</th> <th>3000</th> <th>3333</th> <th>3667</th> <th>4000</th> </tr> </thead> <tbody> <tr> <td>150WC120-10-7.5</td> <td>3Ph/380V</td> <td>28</td> <td>26</td> <td>23</td> <td>19</td> <td>16</td> <td>13</td> <td>10</td> <td>7</td> <td>3</td> <td></td> <td></td> <td></td> <td></td> </tr> <tr> <td>150WC150-15-11</td> <td>3Ph/380V</td> <td>36</td> <td>34</td> <td>31</td> <td>28</td> <td>25</td> <td>22</td> <td>19</td> <td>16</td> <td>12</td> <td>6</td> <td></td> <td></td> <td></td> </tr> <tr> <td>150WC150-25-15</td> <td>3Ph/380V</td> <td>42</td> <td>40</td> <td>37</td> <td>36</td> <td>33</td> <td>31</td> <td>28</td> <td>25</td> <td>19</td> <td>12</td> <td>3</td> <td></td> <td></td> </tr> <tr> <td>150WC200-20-18.5</td> <td>3Ph/380V</td> <td>46</td> <td>44</td> <td>42</td> <td>39</td> <td>36</td> <td>34</td> <td>31</td> <td>29</td> <td>26</td> <td>23</td> <td>20</td> <td>13</td> <td>3</td> </tr> </tbody> </table> |    |    |    |    |     |     |     |     |     |     |     |     |  |  |  | H(m) |      | 0    | 333  | 633  | 1000 | 1267 | 1667 | 2000 | 2333 | 2667 | 3000 | 3333 | 3667 | 4000 | 150WC120-10-7.5 | 3Ph/380V | 28 | 26 | 23 | 19 | 16 | 13 | 10 | 7 | 3 |  |  |  |  | 150WC150-15-11 | 3Ph/380V | 36 | 34 | 31 | 28 | 25 | 22 | 19 | 16 | 12 | 6 |  |  |  | 150WC150-25-15 | 3Ph/380V | 42 | 40 | 37 | 36 | 33 | 31 | 28 | 25 | 19 | 12 | 3 |  |  | 150WC200-20-18.5 | 3Ph/380V | 46 | 44 | 42 | 39 | 36 | 34 | 31 | 29 | 26 | 23 | 20 | 13 | 3 |
| H(m)             |             | 0     | 333  |   |    |    |    |    |     |     |     |     |     |     |     |     |  |  |  | 633  | 1000 | 1267 | 1667 | 2000 | 2333 | 2667 | 3000 | 3333 | 3667 | 4000 |      |      |      |      |                 |          |    |    |    |    |    |    |    |   |   |  |  |  |  |                |          |    |    |    |    |    |    |    |    |    |   |  |  |  |                |          |    |    |    |    |    |    |    |    |    |    |   |  |  |                  |          |    |    |    |    |    |    |    |    |    |    |    |    |   |
| 150WC120-10-7.5  | 3Ph/380V    | 28    | 26   |   |    |    |    |    |     |     |     |     |     |     |     |     |  |  |  | 23   | 19   | 16   | 13   | 10   | 7    | 3    |      |      |      |      |      |      |      |      |                 |          |    |    |    |    |    |    |    |   |   |  |  |  |  |                |          |    |    |    |    |    |    |    |    |    |   |  |  |  |                |          |    |    |    |    |    |    |    |    |    |    |   |  |  |                  |          |    |    |    |    |    |    |    |    |    |    |    |    |   |
| 150WC150-15-11   | 3Ph/380V    | 36    | 34   |   |    |    |    |    |     |     |     |     |     |     |     |     |  |  |  | 31   | 28   | 25   | 22   | 19   | 16   | 12   | 6    |      |      |      |      |      |      |      |                 |          |    |    |    |    |    |    |    |   |   |  |  |  |  |                |          |    |    |    |    |    |    |    |    |    |   |  |  |  |                |          |    |    |    |    |    |    |    |    |    |    |   |  |  |                  |          |    |    |    |    |    |    |    |    |    |    |    |    |   |
| 150WC150-25-15   | 3Ph/380V    | 42    | 40   | 37  | 36 | 33 | 31 | 28 | 25  | 19  | 12  | 3   |     |     |     |     |  |  |  |      |      |      |      |      |      |      |      |      |      |      |      |      |      |      |                 |          |    |    |    |    |    |    |    |   |   |  |  |  |  |                |          |    |    |    |    |    |    |    |    |    |   |  |  |  |                |          |    |    |    |    |    |    |    |    |    |    |   |  |  |                  |          |    |    |    |    |    |    |    |    |    |    |    |    |   |
| 150WC200-20-18.5 | 3Ph/380V    | 46    | 44   | 42  | 39 | 36 | 34 | 31 | 29  | 26  | 23  | 20  | 13  | 3   |     |     |  |  |  |      |      |      |      |      |      |      |      |      |      |      |      |      |      |      |                 |          |    |    |    |    |    |    |    |   |   |  |  |  |  |                |          |    |    |    |    |    |    |    |    |    |   |  |  |  |                |          |    |    |    |    |    |    |    |    |    |    |   |  |  |                  |          |    |    |    |    |    |    |    |    |    |    |    |    |   |
| 150WC150-15-11   | 3Ph/380V    | 11    | 15   |   |    |    |    |    |     |     |     |     |     |     |     |     |  |  |  |      |      |      |      |      |      |      |      |      |      |      |      |      |      |      |                 |          |    |    |    |    |    |    |    |   |   |  |  |  |  |                |          |    |    |    |    |    |    |    |    |    |   |  |  |  |                |          |    |    |    |    |    |    |    |    |    |    |   |  |  |                  |          |    |    |    |    |    |    |    |    |    |    |    |    |   |
| 150WC150-25-15   | 3Ph/380V    | 15    | 20   |   |    |    |    |    |     |     |     |     |     |     |     |     |  |  |  |      |      |      |      |      |      |      |      |      |      |      |      |      |      |      |                 |          |    |    |    |    |    |    |    |   |   |  |  |  |  |                |          |    |    |    |    |    |    |    |    |    |   |  |  |  |                |          |    |    |    |    |    |    |    |    |    |    |   |  |  |                  |          |    |    |    |    |    |    |    |    |    |    |    |    |   |
| 150WC200-20-18.5 | 3Ph/380V    | 18.5  | 25   |   |    |    |    |    |     |     |     |     |     |     |     |     |  |  |  |      |      |      |      |      |      |      |      |      |      |      |      |      |      |      |                 |          |    |    |    |    |    |    |    |   |   |  |  |  |  |                |          |    |    |    |    |    |    |    |    |    |   |  |  |  |                |          |    |    |    |    |    |    |    |    |    |    |   |  |  |                  |          |    |    |    |    |    |    |    |    |    |    |    |    |   |

# WC

## PRODUCT NOMENCLATURE

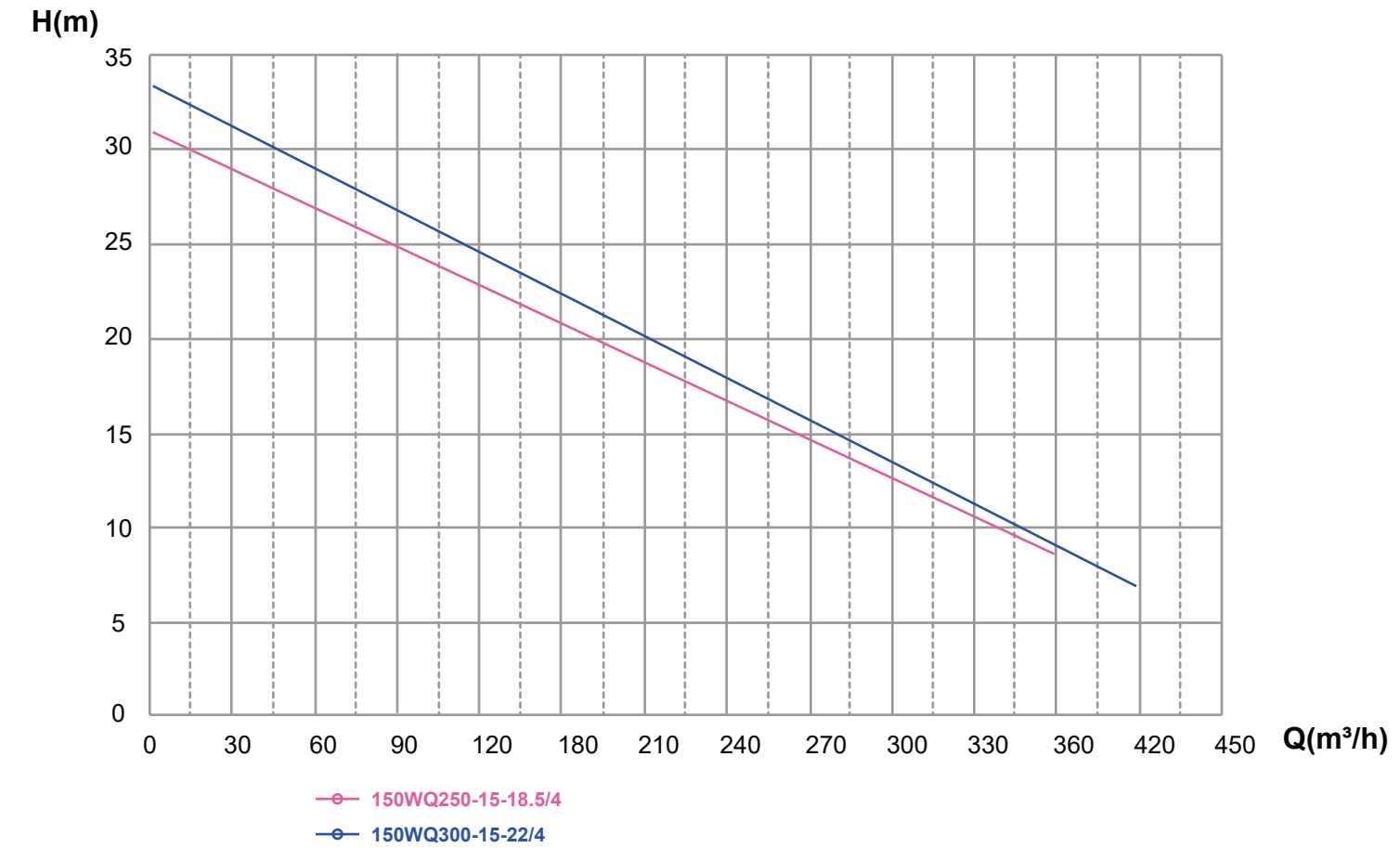
|                  |           |                                |                |                 |
|------------------|-----------|--------------------------------|----------------|-----------------|
| <b>150</b>       | <b>WC</b> | <b>300</b>                     | <b>15</b>      | <b>22 / 4</b>   |
| Outlet Size (mm) | Pump Type | Rated Flow (m <sup>3</sup> /h) | Rated Head (m) | Power Pole (kW) |

## RANGE CHARACTERISTICS

|                      |                            |
|----------------------|----------------------------|
| <b>Power</b>         | <b>18.5-22kW</b>           |
| <b>Poles</b>         | <b>4</b>                   |
| <b>Discharge</b>     | <b>DN150</b>               |
| <b>Max flow rate</b> | <b>420 m<sup>3</sup>/h</b> |
| <b>Max head</b>      | <b>33 m</b>                |



# WC



## DIMENSION

| Type               | A (mm) | L (mm) | L1 (mm) | B (mm) | H (mm) | H1 (mm) | H2 (mm) | D0 (mm) | n-d0 (mm) |
|--------------------|--------|--------|---------|--------|--------|---------|---------|---------|-----------|
| 150WC250-15-18.5/4 | 150    | 610    | 360     | 500    | 1060   | 265     | 905     | 255     | 8-18      |
| 150WC300-15-22/4   | 150    | 610    | 360     | 517    | 1060   | 265     | 905     | 295     | 8-22      |

| Type             | Voltage (V) | Power |      | Q (m³/h) |     |      |      |      |      |      |      |      |      |      |      |      |  |  |  |
|------------------|-------------|-------|------|----------|-----|------|------|------|------|------|------|------|------|------|------|------|--|--|--|
|                  |             | (KW)  | (HP) | 0        | 30  | 60   | 90   | 120  | 180  | 210  | 240  | 270  | 300  | 330  | 360  | 420  |  |  |  |
| 150WQ250-15-18.5 | 3Ph/380V    | 18.5  | 25   | H(m)     |     |      |      |      |      |      |      |      |      |      |      |      |  |  |  |
| 150WQ300-15-22.5 | 3Ph/380V    | 22    | 30   |          |     |      |      |      |      |      |      |      |      |      |      |      |  |  |  |
|                  |             |       |      | 0        | 500 | 1000 | 1500 | 2000 | 3000 | 3500 | 4000 | 4500 | 5000 | 5500 | 6000 | 7000 |  |  |  |
|                  |             |       |      | 31       | 29  | 27   | 25   | 23   | 21   | 19   | 16   | 14   | 12   | 11   | 8    |      |  |  |  |
|                  |             |       |      | 33       | 31  | 29   | 27   | 25   | 23   | 21   | 19   | 17   | 15   | 13   | 11   | 7    |  |  |  |