

**Customer**

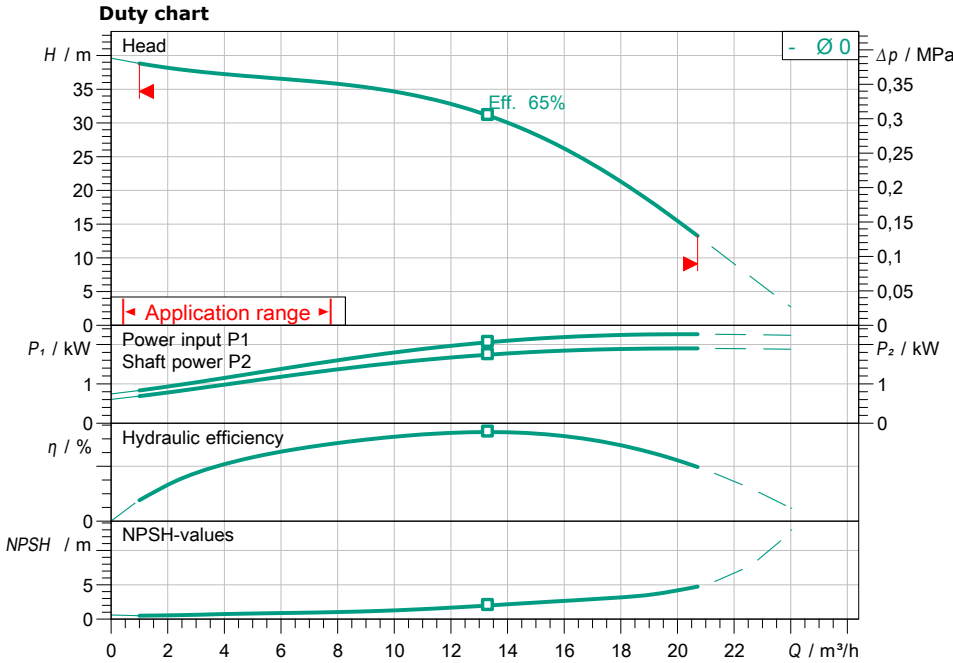
## Technical data

### High-pressure multistage centrifugal pump Medana CH1-L.1603-1/E/E/10T

Project name: Untitled project 2024-02-23 03:49:54.698

Project ID  
Installation location  
Customer pos.no

Date: 23.02.2024



#### Requested data

Flow  
Head  
Media: Water 100 %  
Fluid temperature: 20,00 °C  
Density: 998,30 kg/m³  
Kin. viscosity: 1,00 mm²/s

#### Hydraulic data (Duty point)

Flow  
Head

#### Product data

High-pressure multistage centrifugal pump  
Medana CH1-L.1603-1/E/E/10T  
Max. operating pressure: 1 MPa  
Inlet pressure max.: 0,6 MPa  
Fluid temperature: -20 °C ... +120 °C  
Max. ambient temperature: 50 °C

#### Motordata per Motor/Pump

Motor efficiency class: IE3  
Mains connection: 3~ 400 V / 50 Hz  
Permitted voltage tolerance: +-10 %  
Max. speed: 2900 1/min  
Rated power P2: 1,85 kW  
Rated current: 4,00 A

Degree of protection: IP55  
Insulation class: F  
Motor protection: no

#### Fitting dimensions

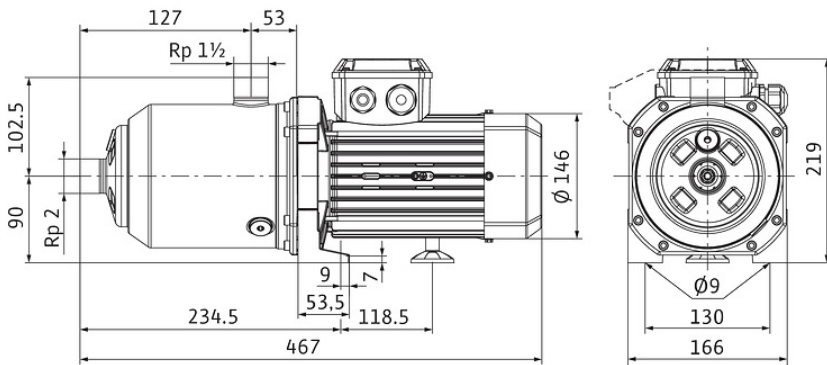
Pipe connection on the suction side: Rp 2, PN 10  
Pipe connection on the pressure side: Rp 1½, PN 10

#### Materials

Pump housing: 1.4301  
Impeller: 1.4301  
Shaft: 1.4301  
Shaft seal: BQ1E3GG  
Gasket material: EPDM

#### Information for order placements

Weight approx.: 18,9 kg  
Item number: 4239783



#### Dimensions mm