

**Customer**

## Technical data

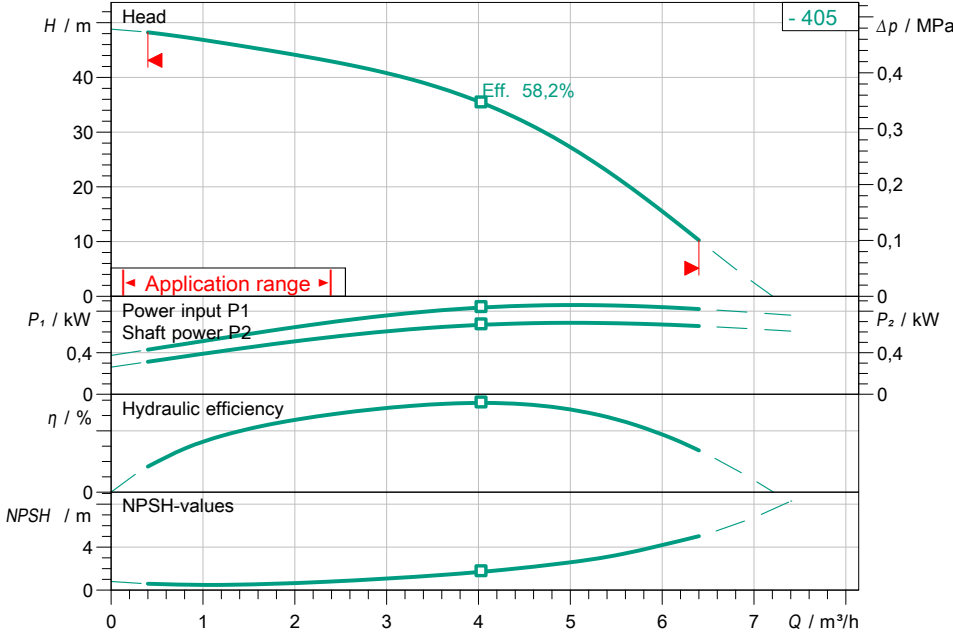
### High-pressure multistage centrifugal pump Medana CH1-L.405-1/E/E/10T

Project name

Project ID  
Installation location  
Customer pos.no

Date 2024-01-11

#### Duty chart



#### Requested data

Flow  
Head  
Media Water 100 %  
Fluid temperature 20,00 °C  
Density 998,30 kg/m<sup>3</sup>  
Kin. viscosity 1,00 mm<sup>2</sup>/s

#### Hydraulic data (Duty point)

Flow  
Head

#### Product data

High-pressure multistage centrifugal pump  
Medana CH1-L.405-1/E/E/10T  
Max. operating pressure 1 MPa  
Inlet pressure max. 0,6 MPa  
Fluid temperature -20 °C ... +120 °C  
Max. ambient temperature 50 °C

#### Motordata per Motor/Pump

Motor efficiency class IE3  
Mains connection 3~ 400 V / 50 Hz  
Permitted voltage tolerance +-10 %  
Max. speed 2900 1/min  
Rated power P2 0,75 kW  
Rated current 1,90 A

Degree of protection IP55  
Insulation class F  
Motor protection no

#### Fitting dimensions

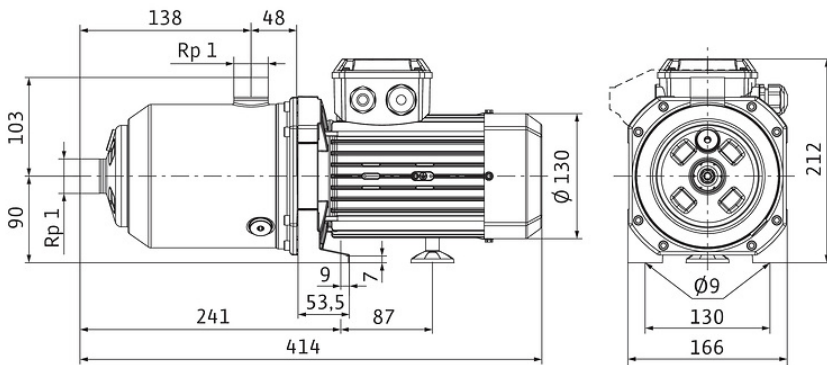
Pipe connection on the suction side Rp 1, PN 10  
Pipe connection on the pressure side Rp 1, PN 10

#### Materials

Pump housing 1.4301  
Impeller 1.4301  
Shaft 1.4301  
Shaft seal BQ1E3GG  
Gasket material EPDM

#### Information for order placements

Weight approx. 11,5 kg  
Item number 4231481



#### Dimensions mm